

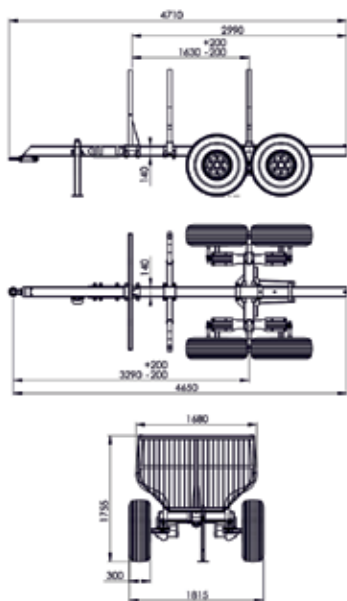
FARMI FOREST

The pioneer in **smart** forestry

TRAILERS



FT7



Load capacity (kg)	7000
Load area (m2)	1.5
Own weight (kg)	710
Frame tube dimensions (mm)	140 x 140 x 6
Bolsters, standard (pcs)	3 pcs
Brakes	Optional
Road traffic kit	Optional
Drive	No
Wheel set, standard	400/60-15.5-
Compatible cranes	CR24
Biomass box	No

FT11



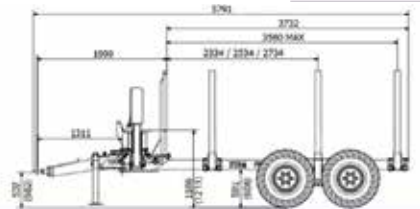
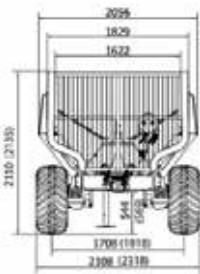
Options:

- Rack for chainsaw, axe and combi tank
- Road traffic kit
- Operator stand
- Biomass box

Load capacity (kg)	11000
Load area (m2)	2.54
Own weight (kg)	1580-1830
Frame tube dimensions (mm)	200 x 200 x 8
Bolsters, standard (pcs)	3 pcs
Hydraulic drawbar steering	Standard
Steering cylinders (pcs)	2
Brakes	Optional
Road traffic kit	Optional
Drive	Optional 2WD/ 4WD
Wheel set, standard	500/50-17
Wheel set, optional	400/55-22.5
Suitable cranes	CR67+, CR69+, CR59
Biomass box	Optional
Ground clearance (mm)	550 - 640

Farmi Forest logging trailers represent latest engineering combined with 60 years of experience with forestry equipments.

FT9

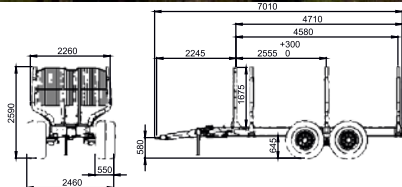


Options:

- Rack for chainsaw, axe and combi tank
- Road traffic kit
- Operator stand
- Biomass box

Load capacity (kg)	9000
Load area (m2)	1.9
Own weight (kg)	1300
Frame tube dimensions (mm)	160 x 160 x 8
Bolsters, standard (pcs)	3 pcs
Hydraulic drawbar steering	Standard
Steering cylinders (pcs)	2
Brakes	Optional
Road traffic kit	Optional
Drive	No
Wheel set, standard	400/60-15.5 14pr
Wheel set, optional	500/50-17 18pr
Suitable cranes	CR36, CR47
Biomass box	Optional
Ground clearance (mm)	550

FT13



Options:

- Rack for chainsaw, axe and combi tank
- Road traffic kit
- Operator stand
- Biomass box

Load capacity (kg)	13000
Load area (m2)	2.85
Own weight (kg)	1995 - 2180
Frame tube dimensions (mm)	250 x 250 x 8
Bolsters, standard (pcs)	3 pcs
Hydraulic drawbar steering	Standard
Steering cylinders (pcs)	2
Brakes	Optional
Road traffic kit	Optional
Drive	Optional 2WD/ 4WD
Wheel set, standard	550/45-22.5
Wheel set, optional	600/50-22.5
Suitable cranes	CR69+, CR89
Biomass box	Optional
Ground clearance (mm)	695



FARMI FOREST
The pioneer in **smart** forestry



FARMI FOREST

The pioneer in **smart** forestry

Distributed by :



Telephone: 418 839-4127
Toll Free: 1 866 718-4746
Fax: 1 800 363-7157

www.mticanada.ca • info@mticanada.ca