

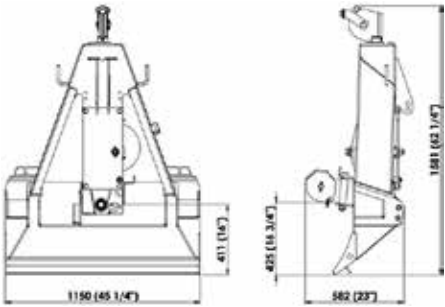
FARMI FOREST

The pioneer in **smart** forestry

WINCHES



W35R

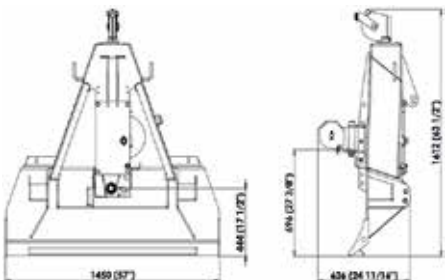


Pulling power (t)	3.5
Cable capacity (mm/max,m)	10/65
Weight without cable (kg)	170
Rope velocity (m/s)	0.5-1.4
Power transmission	Tractor
Lower guide pulley	Standard
Unwinding device	No
Mounting	3-point linkage (CAT I/II)
Width (m)	0.8
Length (m)	1.65
Height (m)	1.2
Remote control	No
Power demand (kW)	10

Options:

- TP14 Self-releasing snatch block
- Skidding Chain
- PTO Shaft

W50R



Pulling power (t)	5
Cable capacity (mm/max,m)	11/55
Weight without cable (kg)	250
Rope velocity (m/s)	0.5-1.4
Power transmission	Tractor
Lower guide pulley	Standard
Unwinding device	No
Mounting	3-point linkage (CAT III)
Width (m)	0.8
Length (m)	1.5
Height (m)	1.85
Remote control	No
Power demand (kW)	25

Options:

- TP14 Self-releasing snatch block
- Skidding Chain
- PTO Shaft

Farmi skidder winches have been developed with over 60 years of experience.

W30F



Pulling power (t)	3
Cable capacity (mm/max,m)	8/50
Weight without cable (kg)	140
Rope velocity (m/s)	0.28-0.8
Power transmission	Hydraulic motor
Lower guide pulley	Standard
Unwinding device	No
Mounting	3-point linkage
Width (m)	0.8
Length (m)	0.6
Height (m)	0.8
Remote control	No
Power demand (kW)	Pump capacity 40-60 l / min

W14C



Pulling power (t)	1.4
Cable capacity (mm/max,m)	6/40
Weight without cable (kg)	45
Rope velocity (m/s)	0.45
Power transmission	Hydraulic motor
Lower guide pulley	Standard
Unwinding device	No
Mounting	Crane main boom
Width (m)	0.8
Length (m)	0.6
Height (m)	0.36
Remote control	Standard
Power demand (kW)	22



FARMI FOREST

The pioneer in **smart** forestry



FARMI FOREST

The pioneer in **smart** forestry

Distributed by :



Telephone: 418 839-4127
Toll Free: 1 866 718-4746
Fax: 1 800 363-7157

www.mticanada.ca • info@mticanada.ca