

Telehawk T2

Hydraulic Straw Bedder

Teagle



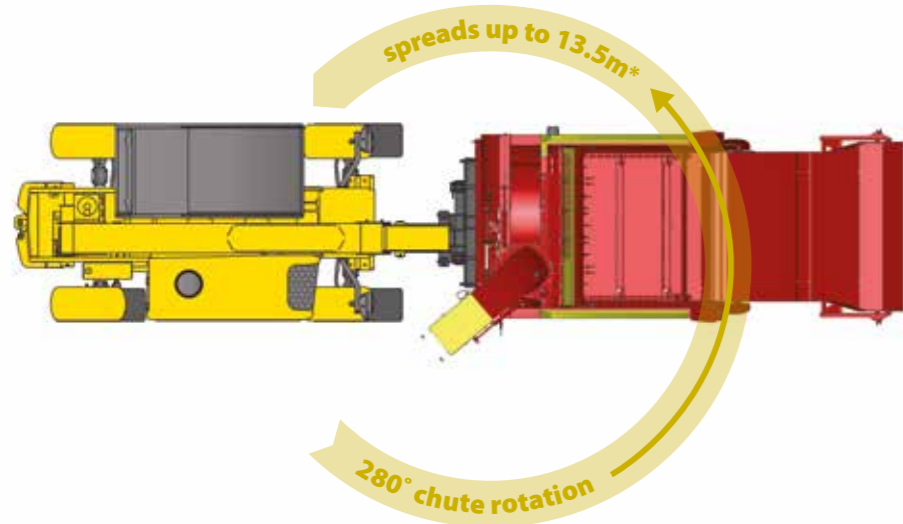
FORWARD**THINKING** 

teagle.co.uk



Telehawk T2

...delivers flexible spreading



FORWARDTHINKING

ACCESS ALL AREAS

Rotating 280° swivel chute can deliver straw to either side or in front of the machine.

ROUND OR RECTANGULAR BALES

Self loading operation, no tractor required.

SAVE STRAW

Bales are thoroughly teased apart.

EXCELLENT VISIBILITY

Front mounted for optimum visibility of the bedding operation.

LESS STRESS

Machine weight is close to the headstock.

IMPROVE ANIMAL COMFORT

Evenly spread straw up to 13.5m* in bedding areas.

*subject to telehandler oil flow.

In operation



The **market leading** Telehawk just got even better!

Introducing the new **Telehawk T2 Straw Bedder** now featuring a hydraulic loading gate for even easier self-loading, improved bale processing and greater manoeuvrability. Also now featuring an enhanced cross-beater design for **improved driveline** protection against foreign objects in the straw.



- **Load and Process** Round, Quadrant or Hesston Bales
- **Save Straw** - Bales are thoroughly teased apart.
- **Less Stress** - Machine weight is close to the headstock.
- **Durable Finish** - All models are shot blasted and have a high quality baked powder coat finish.
- **Adjustable pressure sensing** automatically stops or reverses the bed chain to optimise processing speed.
- **Quick-hitch** attachments are available for the most popular telehandlers.

Features



1 Round and rectangular bales

Round bales:
Max. 1.5m dia.

Rectangular bales:
Max. 1.2m x 1.2m x 2.4m.



2 A bed designed for comfort

Straw is gently bruised and spread. This ensures the bed has both the structure and absorbency to effectively support livestock and keep them clean.



3 Gently tease bales apart

Hook rippers or blades are fitted to the low-speed crossbeater work with the bed chain to ensure an even feed to the fan.



4 Intelligent control

Adjustable pressure sensing hydraulic system monitors crossbeater loading, and automatically stops or reverses the bed chain to optimise processing speed.



Bluetooth

5 Wireless Control

Slimline control panel uses Bluetooth® wireless technology for straight-forward communication between the operator and the Telehawk.



6 Save time

Efficient hitching and unhitching.

Quick-hitch attachments are available for most popular telehandlers.



7 Blockage free

The fan always has priority in the hydraulic circuit to ensure that the machine does not block.



8 Reliability

Bed chain, crossbeater, fan and chute components are tried and tested with other models in the Tomahawk range.

Specifications



Length (loading gate up)	2.7m
Length (loading gate down)	4.0m
Width	1.69m
Height	2.52m
Weight (without brackets)	1510kg
Blow Distance	up to 13.5m
Bale Capacity	1 x round / 1 x rectangular
Max. Bale Size (round)	1.5m dia.
Max. Bale Size (rectangular)	1.2 x 1.2 x 2.4m

Minimum Handler requirements

Lift Capacity (min)	2.8 tonnes
Oil Flow (min)	60 l/min (13.3 gal/min)*
Oil Flow (max)	120 l/min (26.6 gal/min)*
Oil Pressure (min)	160 bar (2320 psi)
Oil Pressure (max)	270 bar 3915psi @ 80 ° (176 °F)**

* Oil flow at headstock

** The hydraulic system requires a single acting valve with an unrestricted return. Maximum return line pressure: 20 bar (290psi).

The company's policy is one of continuous improvement and development, therefore specifications are subject to change without prior notice.

The Bluetooth® word mark and logos are registered trademarks owned by Bluetooth SIG, Inc. and any use of such marks by Teagle Machinery Ltd is under license. Other trademarks and trade names are those of their respective owners.

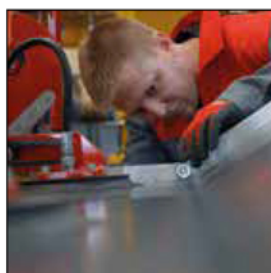
Please Note

Brackets available for Caterpillar, Claas Scorpion, JCB (Q fit & pin/cone), John Deere, Kramer, Manitou, Matbro, Merlo P26/27/30, New Holland - **Please contact us for availability of brackets not listed.**

Teagle Machinery cannot guarantee correct clearances and operating angles of brackets supplied by other manufacturers

Not included within the price: 3/4" free flow return pipe to Telehandler tank, installation cost of 6m power cable kit (supplied with machine), female & male 3/4" flat-face hydraulic fittings to suit your headstock.

We recommend using flat-face hydraulic oil fittings with a minimum 24.5mm orifice.



Distribué par / Distributed by :

MTI
CANADA

MTI Canada

Tél. / tel.: 418 839-4127

Français: 1 866 667-6328

English: 1 866 718-4746

Télééc. / Fax: 1 800 363-7157

www.mticanada.ca • info@mticanada.ca

TELE10B0BA UK