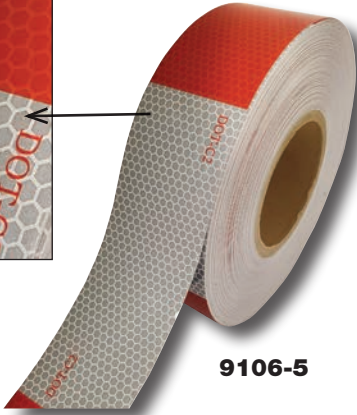
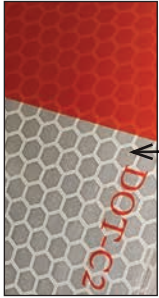


Safety accessories



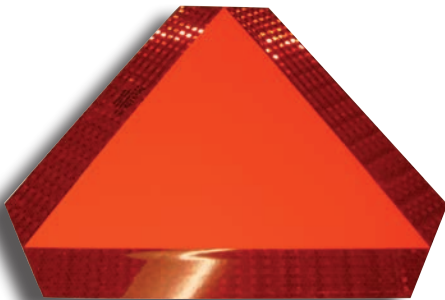
9106-5



95200R



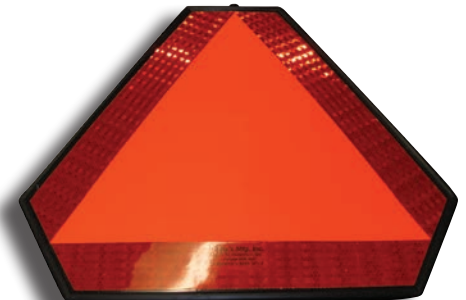
95200Y



DA5060-11



DA5060-13



DA5060-31

Number	Description	
9106-5	Reflective bicolored tape 2" x 150 ft - 6" red, 6" silver	
95200R	Red visibility adhesive tape 2" x 150 ft	
95200Y	Yellow visibility adhesive tape 2" x 150 ft	
DA5060-11	Metal SMV sign - High visibility	ASAE S276.6
DA5060-13	SMV sign decal - High visibility	ASAE S276.6
DA5060-31	Plastic SMV sign - High visibility	ASAE S276.6

Prices are subject to change without notice. Models may differ slightly from the picture.



To order
English
Français
Fax

1 866 718-4746
418 839-4127
418 839-3923

1 866 667-6328
1 800 363-7157

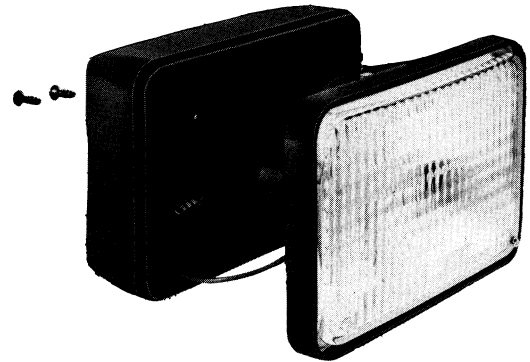
info@mticanada.ca
www.mticanada.ca

LAMPE RECTANGULAIRE 4" X 6"
EXTRA-ROBUSTE "HALOGÈNE"

CARACTÉRISTIQUES



- VIE PROLONGÉE, ENVIRON 400 HEURES
- AMPOULE FACILEMENT REMPLACABLE
- ESSAIS DANS LE CHAMP SOUS CONDITION EXTRÊME
- 12 VOLTS ■ 55 WATT
- TRAPEZOIDAL ■ FLOT 80° x 30° ■ SPOT
- PLUS DE CLARTÉ (JUSQU'À 200,000 CHANDELLES)
- ADJUSTABLE
- EXTRA LARGE 4" x 6"
- TESTÉ EN LAB. JUSQU'À 6 G DE VIBRATION
- MONTABLE FACILEMENT SUR PIVOT
- ILLUMINE DES INSTRUMENTS DE 60 PIEDS DE LARGE



UTILISATION HORS ROUTE SEULEMENT

NUMÉROS NUMBERS	DESCRIPTION
L4910	Sealed beam pour ancien modèle L910-12V.
L940-12V	Lampe 4" x 6", Halogène 12V. (Trapezoidal) <i>Halogen lamp 12V, 4" x 6".</i>
L950-12V	Lampe 4" x 6", Halogène 12V. (Spot) <i>Halogen lamp 12V, 4" x 6".</i>
L960-12V	Lampe 4" x 6", Halogène 12V. (Flot 80° x 30°) <i>Halogen lamp 12V, 4" x 6".</i>
L4970	Remplacement d'ampoule seulement pour modèle L940, L950, L960 <i>Replacement bulb only for L940, L950 & L960.</i>

(VOIR VERSO POUR ILLUSTRATION)

LA TISCO 4" x 6"

HALOGÈNE

VOUS DONNE PLUS DE LUMIÈRE

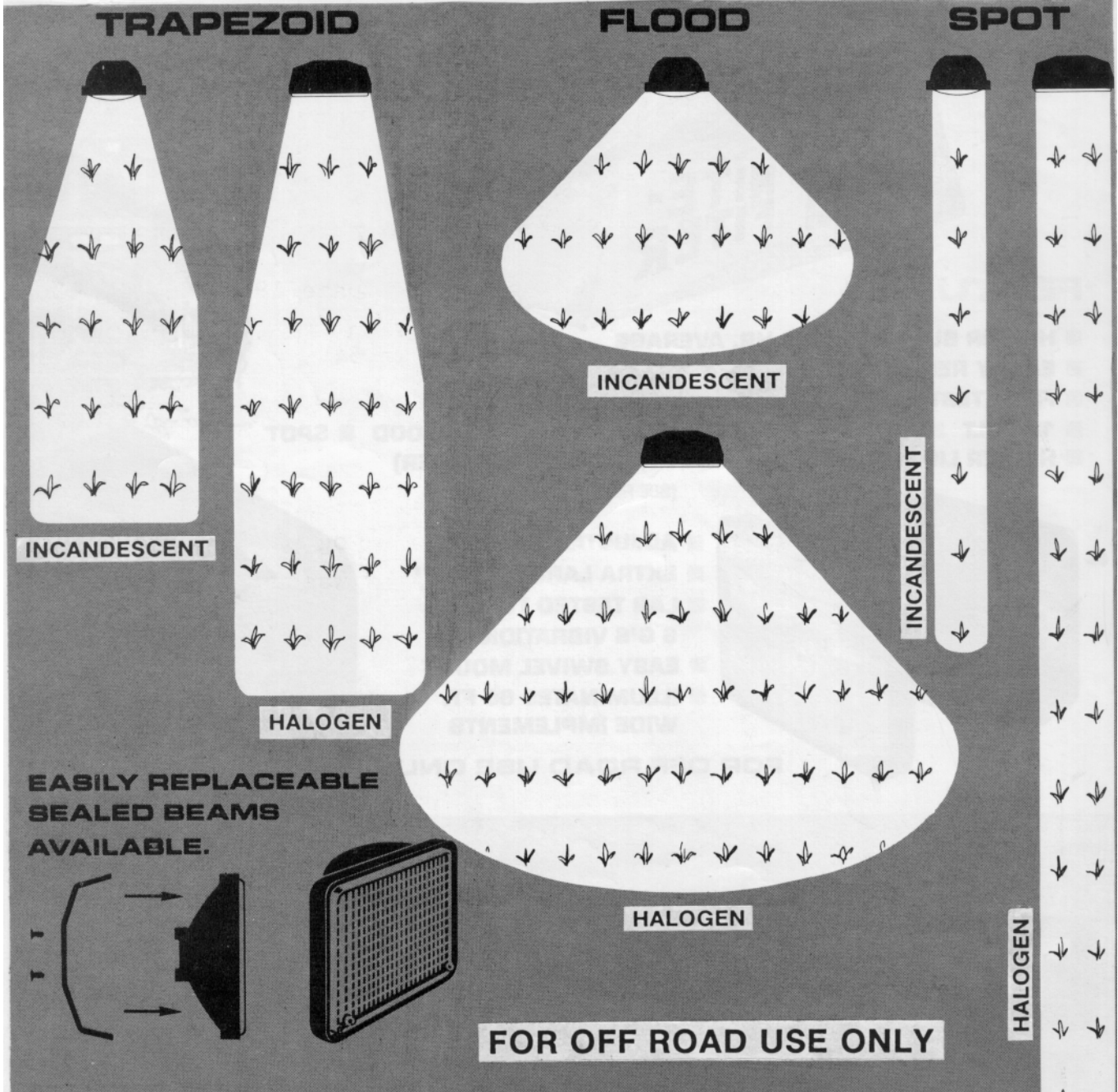
TRAPEZOIDAL

GRAND FLOT

TRAPEZOID

FLOOD

SPOT



INCANDESCENT

HALOGEN

INCANDESCENT

HALOGEN

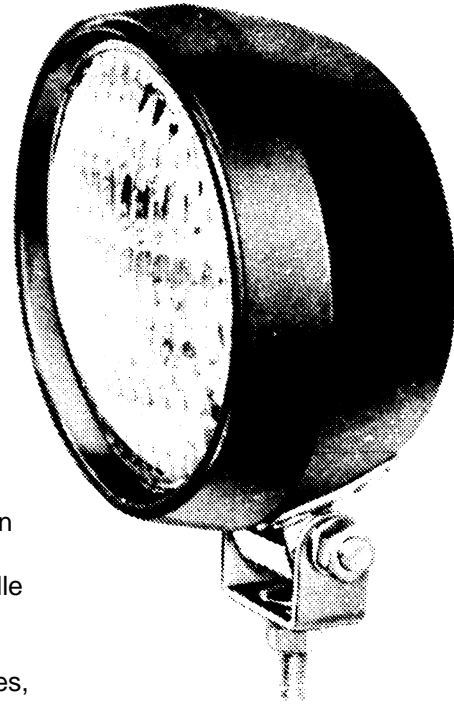
INCANDESCENT

HALOGEN

EASILY REPLACEABLE
SEALED BEAMS
AVAILABLE.

FOR OFF ROAD USE ONLY

Lampe extra-robuste halogène Heavy duty halogen rubber lamp



CARACTÉRISTIQUES :

- Lampe de caoutchouc qui élimine les chocs et la vibration
- L'unité scellée (*sealed beam*) s'attache facilement
- Plaque de montage de métal ajustable de façon universelle
- 4-7/8" 124 mm de diamètre total
- Lampe 4-7/8" en caoutchouc avec *sealed beam* H7610 halogène, 4-1/2" de diamètre, capacité de 5200 chandelles, faisceau trapézoïdal.

FEATURES :

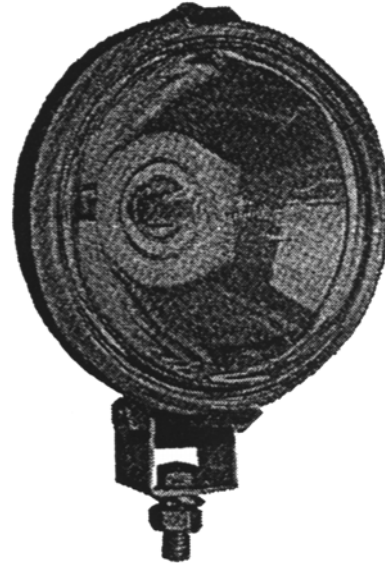
- *Rubber body lamp helps eliminate shock and vibration*
- *Sealed beam unit snaps into lamp body*
- *Universal adjustable plated steel mounting bracket*
- *4-7/8" 124 mm Overall diameter*
- *H7610 12 volt sealed beam units, 4-1/2" diameter. Par 36 with special inner halogen bulb 50 watt, 3.9 amp. bulbs with 2 screw terminals*
- *5200 c.p. - trapezoidal lighting pattern*

NUMÉROS NUMBERS	DESCRIPTION
DA2200-42H	Lampe caoutchouc 4-7/8", halogène 12V. <i>4-7/8" diameter halogen rubber lamp 12V.</i>
DA2200-42H3	Même que ci-haut, mais avec ampoule halogène 5", H312V55W <i>Same as above but with halogen light bulb 5", H312V55W</i>

Projecteur halogène arrière pour camions et tracteurs de remorque
Halogen back-up light for trucks and semi

DA2200-32H

Ampoule / Bulb : H3 12V 55W
Diam : 85 mm (3.33")



NUMÉROS NUMBERS	DESCRIPTION
DA2200-32H	Projecteur halogène arrière, Dia 3.3" 12V-55W <i>Halogen back-up light, 3.3" dia (H3) 12V-55W</i>
DA2200-321	Ampoule halogène H3, 12V, 100W <i>Halogen bulb H3, 12V, 100W.</i>
DA2200-325	Ampoule halogène H3, 12V, 55W (Voir numéro # L4970 p 1) <i>Halogen bulb H3, 12V, 55W. (See # L4970 p. 1)</i>
DA2200-341	Ampoule halogène H3, 24V, 100W <i>Halogen bulb H3, 24V, 100W.</i>
DA2200-347	Ampoule halogène H3, 24V, 70W <i>Halogen bulb H3, 24V, 70W.</i>

Lampe de travail 3" x 5" halogène / halogen work light 3" x 5"

(Mêmes caractéristiques que la Nite Fiter de notre page 55 et même *bulb* L4970)

Halogen Work Light

Announcing the addition of a 3" x 5" work light to our Nite Fiter Series 11 Lights

Our new 3" x 5" light has the same quality features as the 4" x 6" Nite Fiter listed in our current catalog.

- *Trim 3" x 5" rectangular shape, adjustable swivel mount.*
- *Flood, spot or trapezoidal beam pattern, precision faceted lens.*
- *Made for off road use only. Tough, vibration resistant.*
- *Replacement 55 Watt halogen bulb, 12 volt - 4.6 amp. (Use only 55 watt replacement bulbs.)*



UTILISATION HORS ROUTE SEULEMENT

NUMÉROS REPLACES NUMBERS	DESCRIPTION
L710-12V	Lampe 3" x 5", halogène 12V. <i>Trapezoidal pattern lamp assembly</i>
L720-12V	Lampe 3" x 5", halogène 12V. <i>Spot pattern lamp assembly</i>
L730-12V	Lampe 3" x 5", halogène 12V. <i>Flood pattern lamp assembly</i>
L4970	Ampoule pour L710, L720, L730. <i>Replacement 55 watt halogen bulb</i>

Phare halogène pour tracteur / *halogen tractor lamps*



DA2200-52L
DA2200-52R



DA2200-4265



725074

NUMÉROS REPLACES NUMBERS	DESCRIPTION
DA2200-52L	Lampe halogène et feux de position, arrêt et virage (gauche). <i>Hors-tout / Overall 191mm (H) 195mm (L) +100mm 145mm (P) (D)</i> <i>Halogen lamp, position, turn & stop light (left)</i>
DA2200-52R	Lampe halogène et feux de position, arrêt et virage (droit) <i>Halogen lamp, position, turn & stop light (right)</i>
DA2200-104	Ampoule 12 volts (1157) <i>Bulb 12 volts (1157)</i>
DA2200-4265	Ampoule de remplacement 60/55W <i>Replacement bulb 60/55W</i>
725074	Lampe 4" x 6" (2 ampoules halogènes) / <i>4" x 6" lamp (2 halogen bulbs) 55W - 12V</i>

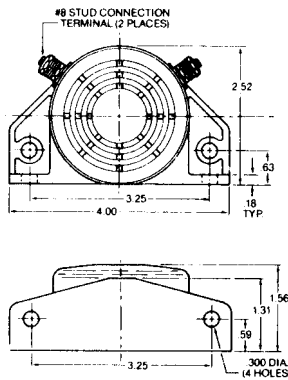


Lampe caoutchouc rectangulaire
Rectangular rubber lamp

NUMÉROS NUMBERS	DESCRIPTION
DA2200-82H	Lampe caoutchouc rectangulaire 12V 55W Halogène <i>Hors-tout / Overall 205mm (H) 185mm (L) 130mm (P) (D)</i> <i>Rectangular rubber lamp 12V. 55W Halogen</i>
L4970	Ampoule de remplacement 55W Halogène <i>Replacement bulb 55W Halogen.</i>



41-720A



Simple niveau Pollalert 97 db (12-36 Volts) 41-720A

Le robuste et compact Pollalert permet le remplacement des alarmes inutilement larges et volumineuses couramment utilisées sur les camions à travaux légers et moyens, camions basculants, roulottes motorisées, campeurs, chariots élévateurs électriques et autres applications similaires.

Spécifications :

- Simple niveau...97dB (A) ± 4 @ 4'
- Multi-voltage - 12-36 volts, polarité protégée
- Pointe de voltage protégée
- Utilise moins de 0.1 ampère
- Semi-conducteurs électroniques
- Conforme à S.A.E. J994, type C
- Dimensions - 4" L x 2.0" D x 2.5" H
- Assemblage - deux trous de .300" de diamètre sur 3.25" de centres
- Poids net - 4.5 oz. (128 g)

Caractéristiques :

- Fait de plastique rigide et non-corrosif
- Nettoyable à la vapeur
- Peut être utilisé sur tout véhicule, mise-à-terre positive ou négative
- La dimension compact permet l'assemblage horizontal ou vertical

Single level Pollalert 97 db (12-36 Volts) 41-720A

The rugged and compact Pollalert allows replacement of unnecessarily large and bulky alarms currently used on light and medium duty trucks, dump trucks, motor homes, campers, electric fork lifts and other similar applications.

Specifications :

- *Single level...97dB (A) ± 4 @ 4'*
- *Multi-voltage - 12-36 volts, polarity protected*
- *Voltage spike protected*
- *Current draw less than 0.1 amps*
- *Solid state electronics*
- *Certified conformance to S.A.E. J994, type C*
- *Size - 4" W x 2.0" D x 2.5" H*
- *Mounting - two .300" dia. holes on 3.25" centers*
- *Net weight - 4.5 oz. (128 g)*

Features :

- *Made of high impact, non-corroding plastic*
- *Steam cleanable*
- *Can be used on positive and negative ground vehicles*
- *Compact size allows for horizontal or vertical mounting in protected areas.*



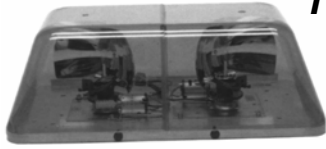
Pilot light

52-115

12 VOLT PILOT LIGHT. Red 1/2" diameter faceted lens.
 For panel mounting through 5/16" hole.
 Has snap-out socket for conventional bulb replacement.

Barre d'éclairage d'urgence / Warn-a-bars

Think of warn-a-bars as authority figures



Turbo Beam® 2000

PIÈCES DE REMPLACEMENT

REPLACEMENT PARTS :

411401 Moteur rotateur assemblé

OPTIONS / OPTIONS:

210386B Nécessaire de filage

Updated for the new millenium, the Turbo Beam® 2000 mini-lightbar now features improved rotators for better warning effectiveness.

Rotator enhancements include increased light output (80 000 candelas per flash) and increased flash rate (95 flashes per minute). These improvements make this popular mini-lightbar even more effective. All rotators have powerful halogen bulbs, precision parabolics reflectors, and RFI suppression drive motors for exceptional performance and reliability.

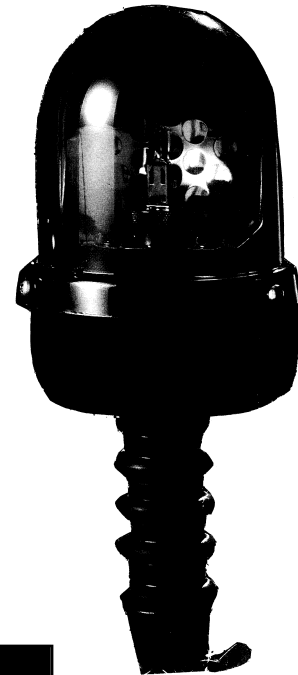
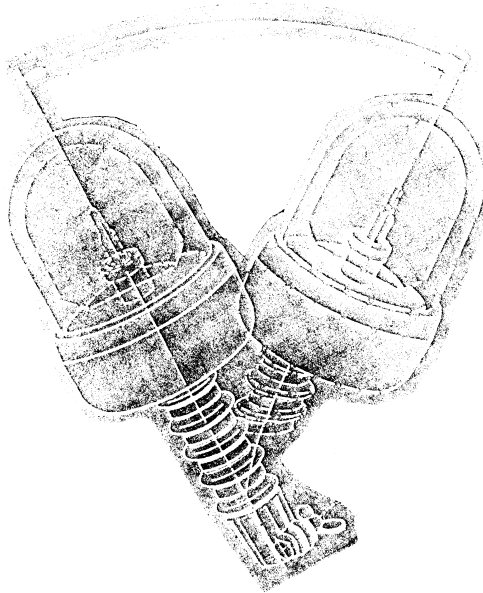
Models are available in 15" and 22" lengths and with flush or raised bases. The raised base speeds installation and maintenance.

Specifications :

Dimensions (L. x D. x H.) :	15" 15.0 in x 9.0 in x 5.0 in (381 mm x 229 mm x 127 mm)
	22" 22.0 in x 9.0 in x 5.0 in (559 mm x 229 mm x 127 mm)
Flash rate :	190 per minute (380 with mirror)
Voltage :	12 VDC / 24 VDC
Ship. weight :	15" (5.0 lbs / 2.3 kg)
	22" (6.0 lbs / 2.7 kg)
	add 2.0 lbs [0.9 kg] for mag. mount)

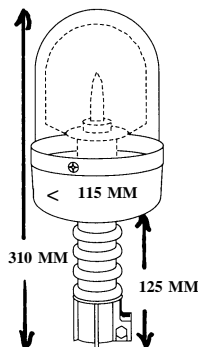
NUMÉROS NUMBERS	DESCRIPTION
732532	Lentille droite pour 415010 & 415011 & 415111 <i>Right end dome amber polycarb</i>
732538	Lentille gauche pour 415010 & 415011 & 415111 <i>Left end dome amber polycarb</i>
205407	Ampoule halogène 50W (12V) (Ronde) <i>Halogen bulb 50W (12V) (Round)</i>
745295	Ensemble de montage magnétique incluant la prise pour l'allumage-cigarette (210897). Pour barres d'éclairage de 15" et 22" seulement. <i>Light bar magnet mount kit includes cigarette lighter plug. For 15" and 22" light bars only.</i>
745282 (415111)	Barre d'éclairage d'urgence, base 22" (415111), 2 ampoules halogène - coupole ambre (avec miroir) <i>Turbo Beam Mini Light Bar - 22" base, 50 watt quartz halogen bulbs - amber dome 2 rotating reflectors with center mounted full box mirror.</i>
745283 (415011)	Même que 745282 mais avec base 15" <i>Same as 745282 but 15" to base</i>
DA2600-20	Ampoule quartz halogène 12V (Modèle plat) <i>12V H1 Quartz halogen bulb (flat model)</i>
732535	Lentille centre (ambre) pour 415111 <i>Center dome (amber) for 415111</i>
411014	Kit montage lampe rotative 15" (745283) 22" (745282) <i>Lamp mounting kit f/turbo beam, flush base 15" & 22"</i>
439194	Kit de réparation pour lentille 745282-745283. <i>Lens repair Kit for lens 745282 - 745283 .</i>
210897B	Nécessaire de montage magnétique série SC <i>Magnetic mount kit series SC</i>

Lampe ROTOFLEX / ROTOFLEX beacon



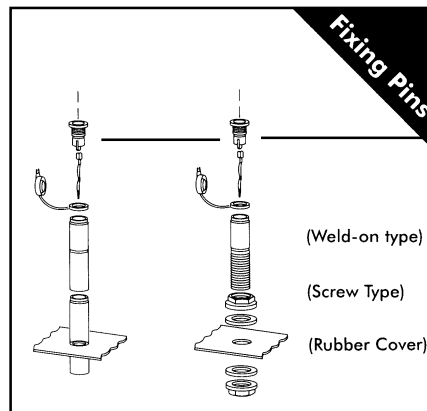
Rotoflex Beacon

(Pin Fixing)
 Supplied complete with :
 Amber Dome
 12V H1 Quartz Halogen
 Bulb
 (Order pin separately -
 see below for details)



S. 14422
 12V H1

S. 14423
 24V H1



Fixing Pins

460520

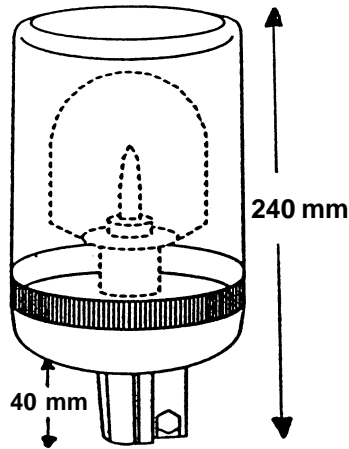
(Weld-on type)
 (Screw Type)
 (Rubber Cover)



DA2600-09

NUMÉROS NUMBERS	DESCRIPTION	
DA2600-00	Lampe rotoflex - ambre / sans tige (12V)	Rotoflex beacon - amber w/o pin (12V)
DA2600-0024	Lampe rotoflex - ambre / sans tige (24V)	Rotoflex beacon - amber w/o pin (24V)
DA2600-10	Tige de fixation filetée	Fixing pin (Screw type)
DA2600-11	Tige de fixation à souder	Fixing pin (weld-on-type)
DA2600-15	Caoutchouc de protection	Rubber cover for fixing pin
DA2600-20	Ampoule quartz halogène 12V. (55 Watts) (735259)	12V H1 Quartz halogen bulb. (55 Watts)
DA2600-21	Ampoule quartz halogène 12V. (100 Watts) (735260)	12V H1 Quartz halogen bulb. (100 Watts)
DA2600-31	Lentille de remplacement (ambre)	Replacement lens (amber)
DA2600-33	Lentille de remplacement (rouge)	Replacement lens (red)
DA2600-09	Base magnétique pour DA2600-00,02,05	Magnetic base for DA2600-00,02,05

Lampe rotative STD / STD rotative beacon

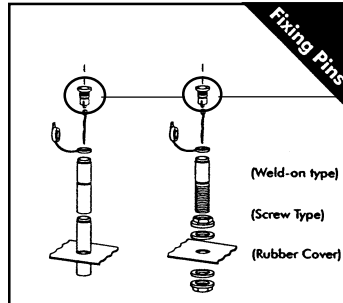


DA2600-02
Standard Beacon

(Pin Fixing)

*Supplied complete with : Ambere dome
12V H1 Quartz Halogen Bulb*

(Order pin separately - see below for details)

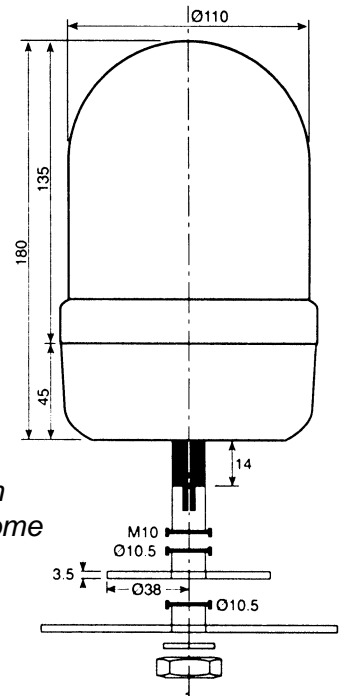


460520

DA2600-05

Bolt-on type.

*Supplied complete with
unbreakable amber dome
(BOULONNE)*



NUMÉROS NUMBERS	DESCRIPTION	
<p>DA2600-02 DA2600-10 DA2600-11 DA2600-15 DA2600-20 DA2600-36</p>	<p>Lampe rotative std - ambre/sans tige Tige de fixation filetée Tige de fixation à souder Caoutchouc de protection Ampoule quartz halogène 12V. Lentille de remplacement (ambre)</p>	<p><i>Std beacon - amber w/o pin Fixing pin (Screw type) Fixing pin (weld-on-type) Rubber cover for fixing pin 12V H1 Quartz halogen bulb. Replacement lens (amber)</i></p>
<p>DA2600-05 DA2600-20 DA2600-31 DA2600-33</p>	<p>Lampe rotative - ambre (12V-24V) sans ampoule (Boulonné) Ampoule quartz halogène 12V. Lentille de remplacement (ambre) Lentille de remplacement (rouge)</p>	<p><i>Dual voltage beacon - amber bolt-on Bulb not included 12V H1 Quartz halogen bulb. Replacement lens (amber) Replacement lens (red)</i></p>

Feux stroboscopiques pulsator® 551 PLUS robustes Pulsator® 551 PLUS heavy duty strobe beacons

The pulsator® 551 Plus has been updated for improved performance. The Pulsator 551 Plus features a new state-of-the-art, 10-joule, power supply for improved light output and warning effectiveness. This high-profile strobe combines advanced dome optics with a high-performance power supply to produce a brilliant flash that meets SAE Class 2 requirements.

Pulsator 551 Plus strobes are exceptionally durable. The power supply is moisture and vibration resistant and protected against reverse polarity, voltage spikes and RFI. The patented base design and O-ring gasket combine to seal out moisture and contaminants. All models feature modular construction that provides quick access to internal components. The impact-resistant, polycarbonate, dome and base provide added durability in heavy-duty applications.

Heavy-duty models feature a gel-filled base that completely encases the power supply for extra protection against vibration and moisture. The encased power supply allows superior performance in extreme high-vibration environments.

Pulsator 551 Plus models are available in 10-joule (double & quad-flash), 12-48 VDC versions and 115 Volts (5-joule/single & double-flash) AC versions. All models use a helical strobe tube that is easily replaceable. All models include the necessary mounting hardware.



Specifications :

Dimensions (dia. x H.) : 6.5 in x 6.0 in
(165 mm x 152 mm)
Flash rate : 75/min. (Quad)
80/min. (Double)
70 min. (AC model)
Voltage : 12-48 VDC - 115 VAC
Amp draw : 1.2 @ 12 V to 0.3 @ 48 V
0.1 @ 115 V
Joules : 10 J (Double/Quad models)
5 J (AC models)
Output power : 13.3 W (Double)
12.5 W (Quad)
5.8 W (AC model)
Ship. weight : 1.5 lbs (0.7 kg)
1.9 lbs (0.9 kg)
(heavy duty)

PIÈCES DE RECHANGE / REPLACEMENT PARTS:

- * **439290** Tube de clignotement / flash tube
- * **208667** Lentille en polycarbonate ambre / amber polycarbonate lens
- * **208666** Lentille en polycarbonate bleue / blue polycarbonate lens
- * **208668** Lentille en polycarbonate rouge / red polycarbonate lens
- * **208669** Lentille en polycarbonate clair / clear polycarbonate lens
- * **208664** Lentille en polycarbonate vert / green polycarbonate lens

OPTIONS D'INSTALLATION / MOUNTING OPTIONS:

- * **200069** Fond en polycarbonate / polycarbonate bottom
- * **210890** Nécessaire d'installation magnétique /
Magnetic mounting kit
- * **210891** Nécessaire d'installation autocollante /
Self adhesive mounting kit
- * **210892** Nécessaire d'installation à ventouse /
Suction cup mount kit
- * **210893** Monture tubulaire de 1/2 po / 1/2" pipe mount
- * **210894** Monture tubulaire de 3/4 po / 3/4" pipe mount
- * **210895** Monture tubulaire de 1 po / 1" pipe mount
- * **210387** Nécessaire de filage, 1 feu / cable kit, 1 strobe
- * **210376** Nécessaire de filage, 2 feux / cable kit, 2 strobes

NUMÉROS NUMBERS	DESCRIPTION
745321 (211820)	Feu stroboscopique - modèle 551 (Pulsator) ambre (12-48VDC) 6" de haut - 6-1/2" Base Model 551 Pulsator - strobe light double flash - amber - (12-48VDC) 6" Tall - 6-1/2" dia base
210890	Ensemble de montage magnétique. Magnet mounting kit includes magnet, cigarette lighter plug, 10' cord bottom and mounting hardware.
211694	Feu stroboscopique - modèle 551 (Pulsator) ambre 120 FPM Amber strobe lamp (Pulsator 551) single flash 120 FPM - 15 Watts

Gyrophare d'urgence / flashing beacon



448112



212426

Halogen flashing beacon

For a dependable, effective warning light, halogen flashing beacons are the answer. These water-resistant beacons offer state-of-the-art technology and solid-state electronics. Each model has a 55-watt halogen bulb and durable polycarbonate base and dome. A halogen flashing beacon is an ideal supplemental warning light for trucks and maintenance vehicles. Models are available in low and high-profile versions. Simplified design allows the operator to service these beacons without removing them from the vehicle.

Effective

- Attention-getting flashing warning patterns.
- Advanced dome optics direct light for maximum effectiveness

Reliable

- Solid-state circuitry
- Serviceable without removing the beacon from vehicle
- Protected against moisture and contaminants

Durable

- Impact-resistant polycarbonate dome and base
- Protected against shock and vibration
- Corrosion resistant materials

Applications

- Tow and recovery vehicles
- Utility trucks
- Pickup trucks and suv's
- Electric vehicles

Specifications :

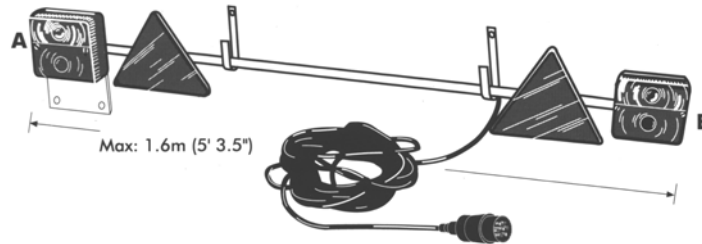
Dimensions (dia. x H.) : 6.5 in x 4.0 in (low)
 6.5 in x 6.0 in (high)
 (165 mm x 102 mm/152mm)
 Flash rate : 60/min.
 Voltage : 12 VDC
 Amp draw : 4.3 @ 12 V
 Ship. weight : 0.5 lbs (0.2 kg)

PIÈCES DE RECHANGE / REPLACEMENT PARTS :

- * **205408** Bulb, 12 VDC
- * **211261** Power supply, 12VDC, for low-profile model
- * **211262** Power supply, 12VDC, for high-profile model
- * **208762** Amber dome, low profile
- * **208667** Amber dome, high profile

NUMÉROS NUMBERS	DESCRIPTION
212426	Gyrophare d'urgence, ampoule 55W halogène, ambre (12 VDC). 55W halogen flashing beacon, amber, high profile (12 VDC).
448112	Feu rotatif ambre 95 FPM 12V Rotating beacon amber 12VDC - 95FPM

Accessoires pour panneau et feux arrière de remorque Trailer board and tail light accessories



DA2900-10 Panneau de remorque robuste

Conçu pour fixation simple et permanente grâce à deux brides de support robustes et réglables. Le panneau de 1.6m est vendu complet avec feux arrière/clignotants combinés, réflecteurs triangulaires et 14m de câble à 7 conducteurs muni d'une fiche de raccordement DIN.

DA2900-10 Heavy duty trailer board

Designed for simple, permanent fixing by two robust, adjustable bracket clamps. The 1.6m 5ft 7in board comes complete with combination rear/flasher lamps, triangular reflectors and 14m 35ft of 7 core cable fitted with DIN connector plug.

DA2900-20



DA2900-01 Tail light assembly



This 4 function square rear lamp cluster comprises amber flasher, red tail light, red stop light and clear number plate illumination and comes complete with bulbs. Suitable for DA2900-00 trailer board.

Size 95 mm x 95 mm 3.3/4 in x 3.3/4 in

NUMÉROS NUMBERS	DESCRIPTION
DA2900-10 (DA2900-00)	Panneau de remorque (1,6 mètre). Feux et réflecteurs triangulaires. <i>Heavy duty trailer board (1,6m). Rear flasher lamps, triangular reflectors and 14 M (46 ft) of 7 core cable fitted with DIN connector plug.</i>
DA2900-01	Feu arrière clignotant pour DA2900-00 / <i>Comb rear / flasher lamp for DA2900-00.</i>
DA2900-02	Lentille de remplacement pour DA2900-00 / <i>Replacement lens assembly for DA2900-00</i>
DA2900-11	Assemblage feux arrière pour DA2900-10 / <i>Tail light assy for DA2900-10.</i>
DA2900-12	Ensemble de lentille remplaçant pour DA2900-10 / <i>Replacement lenns assy for DA2900-10.</i>
DA2900-20	Kit éclairage magnétique, 25 pieds fil / <i>Rear lighting set magnetic, 25 feet cable</i>

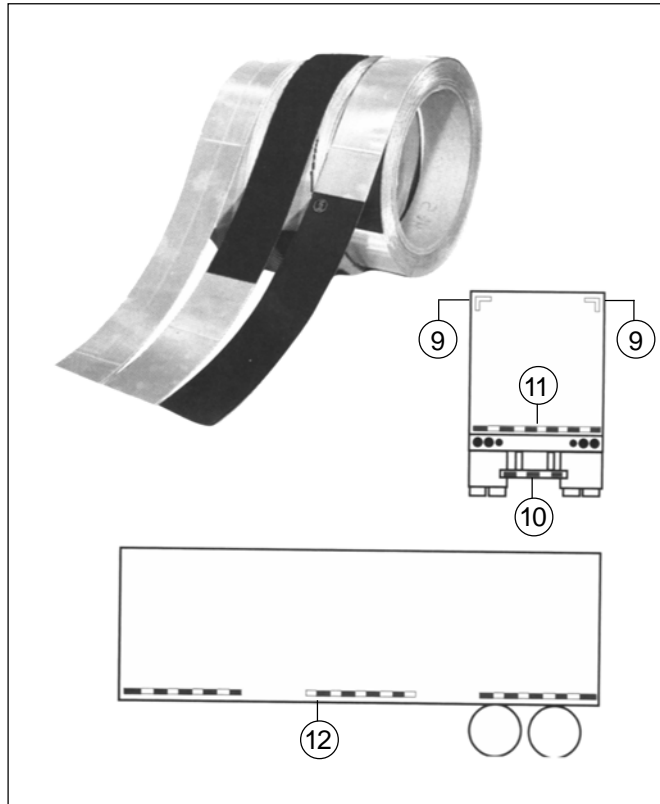
Ruban réflecteur / reflective tape and spiffires

Reflective tape

Effective 12-1-93, all new trailers 10,000 GVWR, and over 80" wide must have reflective tape. For side application, 2" wide or two 1" strips of red/silver tape must cover a minimum of 50 % of the trailer length. For rear application, 2" red/silver tape is to span the rear of the trailer, 2" red/silver tape on the horizontal bar of the I.C.C. bumper and 2", 12" silver strips in the upper corners.

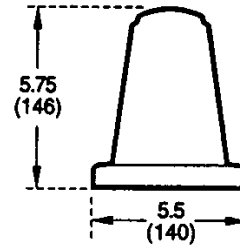
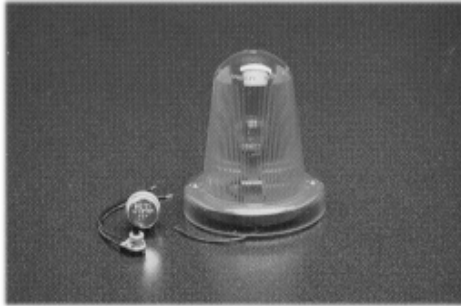
High-brightness reflective material is rated at 1,000 candlepower and features industrial-strength adhesive to mount on flat or curved surfaces. Also offers : four-times greater reflectivity, wider viewing angles, higher visibility at long range and tougher durability. Rolls are 150 feet long and 1" or 2" wide with alternating strips of 7" of silver and 11" of red.

Kits contain eight - 18" strips packaged in a self-service, full-color poly pack with a header.



Order numbers		Pack	Std. Carton
465-1	2" red/silver alternate	box	1
465-5	1" red/silver alternate	box	1
465K	red/silver kit	Viz Pack	12
467K	silver kit	Viz Pack	12
468K	red kit	Viz Pack	12

DESCRIPTION			MANDATORY REQUIREMENTS			
Area	Conspicuity treatment	DOT Coding	Quantity	Color	Location	Height
9	Rear upper body markings	(DOT-C, -C2, -C3 or -C4)	Exactly 2 pairs	White	Rear upper corners facing rearward	At the top
10	Bumper bar marking	(DOT-C, -C2, -C3 or -C4)	Continuous	Red/white	Rear bumper bar's horizontal element full width - facing rearward	No requirement
11	Rear lower body marking	(DOT-C, -C2, -C3 or -C4)	Continuous	Red/white	Rear - not on bumper bar full width of the vehicle facing rearward	As horizontal as practicable and as close as practicable to the range of 375 to 1525 mm from the ground
12	Side marking	(DOT-C, -C2, -C3 or -C4)	See location	Red/white	Each side - facing sideward continuous, or evenly spaced over minimum of 50 % of length, starts and ends at the extremes of the vehicle	As horizontal as practicable and as close as practicable to the range of 375 to 1525 mm from the ground



FEUX CLIGNOTANTS AUXILIAIRES

Pour usage industriel ou d'appoint. Base en acier, lentille monobloc nervurée en acrylique, pièces entièrement encastrées. Les feux sont offerts avec un clignotant à charge variable et un commutateur rotatif de marche / arrêt. Ampoule 12V c.c. de 32 cd à contact simple no.1156. Ne se conforment pas nécessairement aux normes et aux règlements en vigueur pour les véhicules automobiles.

744001 *ambre*

AUXILIARY FLASHING LAMPS

For supplementary / industrial plant applications. Steel base plate, one piece fluted, acrylic lens, completely encases all parts. Lamps complete with variable load flasher and rotary on / off switch. Single contact bulb #1156, 32 C.P., 12 VDC. Not warranted to conform to motor vehicle standards or regulations.

744001 *amber*



766043 PORTE-FUSIBLE



766016 DISJONCTEUR

NUMÉROS NUMBERS	DESCRIPTION
744001	Feux clignotants auxiliaires (ambre) 12VDC <i>Auxiliary flashing lamp 12 VDC (amber)</i>
766016	Disjoncteur universel 30 ampères avec ou sans braquette <i>Universal Stud-Type circuit breakers with ou without bracket</i>
766043	Porte-fusible 6 positions à lame <i>Blade type fuse panel 6 pole</i>
766069	Relais 30 ampères - Relay replacement 30 A

Feu stroboscopique d'avertissement / Warning strobe light

Firebolt®

For dependable warning at an affordable price, count on the Firebolt® line of strobe beacons. All models feature modular construction for easy installation and maintenance. Power supplies are moisture and vibration resistant, and will automatically adjust to function at multi-voltages (see specifications). The impact-resistant, polycarbonate dome and base provide added durability in heavy-duty applications. Permanent and magnetic mount models are available and include the necessary mounting hardware.

Firebolt Plus

Firebolt Plus is available in a 2-joule (single-flash) version and features a replaceable flash tube. The modular construction allows the flash tube to be easily replaced without the use of tools.

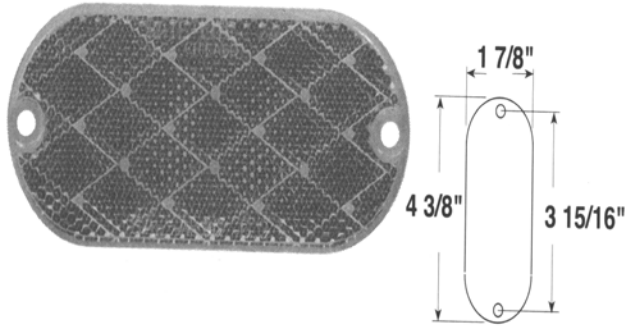


745317

Specifications :	Options :
<p>Dimensions (dia. x h.) : 5.0 in x 3.6 in (127 mm x 91 mm)</p> <p>Ship. weight : 0.7 lbs (0.3 kg)</p> <p>Flash rate : 60/min. (2 joule) 65/min (5 joule)</p> <p>Voltage : 12-72 VDC (2 joule) 115 VAC (AC model) 12-48 VDC (5 joule)</p> <p>Joules : 2J (single flash) 5J (double flash)</p> <p>Power : 2W (single flash) 5.4W (double flash)</p>	<p>210539 "L" bracket</p> <p>210728 Magnetic mount kit with cigarette lighter plug</p> <p>211676 Dome guard assembly</p> <p>210387 Wiring kit, one strobe</p> <p>210881 1/2" pipe mount adapter</p> <p>210850 3/4" pipe mount adapter</p> <p>210882 1" pipe mount adapter</p>
Replacement parts :	
	<p>211300 Flash tube</p> <p>211550 2J, 12-72 VDC power supply</p> <p>205580 Amber dome</p> <p>200523 Dome gasket</p>

NUMÉROS NUMBERS	DESCRIPTION
745317	Feu stroboscopique industriel ambre <i>Industrial strobe light amber</i>

Réflecteurs - Reflector



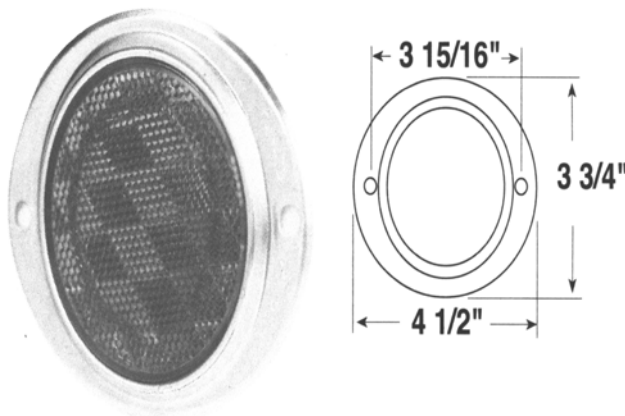
**RÉFLECTEUR ALLONGÉ
OBLONG**

4-3/8" x 1-7/8" hermetically sealed reflector mounts on 3-5/16" centers.

Montage à 2 vis. - 2 screw mounting

716019 | Réflecteur rouge - *Red reflector*

716020 | Réflecteur ambre - *Amber reflector*



**RÉFLECTEUR OVALE ALUMINIUM
ALUMINUM OVAL**

3" diameter acrylic lens in low-profile aluminum housing. Completely rustproof.

Montage à 2 vis. - 2 screw mounting

716509 | Réflecteur rouge - *Red reflector*
Voir V472R

716510 | Réflecteur ambre - *Amber reflector*
Voir V472R



**RÉFLECTEUR ROND
ROUND REFLECTOR**

**RÉFLECTEUR 2 3/16 Diamètre auto-adhésif
2 3/16 diameter reflector round self adhesive.**

716038B | Réflecteur rouge qté 10
Reflector red round pk 10

716039B | Réflecteur ambré qté 10
Reflector amber round pk 10

Feu stroboscopique Renegade Renegade Strobebeacon



The Renegade® strobe breaks away from the pack and sets new standards for dependability and performance. The renegade strobe features a rugged, impact-resistant polycarbonate dome and base. The versatile base on model 462121 enables mounting via the permanent base, the trim ring (supplied), or the integrated 1/2-inch pipe mount. Model 462141 utilizes a magnetic mount and comes with a cigarette lighter plug.

For effective long-term operation, the renegade has a powerful flash tube (replaceable) and vibration-resistant circuit board. The 2.2-joule (2.6 watts) power supply automatically adjusts to function at any voltage from 12 to 72 VDC. This strobe has exceptional optics and meets SAE J1318 class 3 specifications. Renegade strobes are designed for reliable performance in the toughest environments. Applications include forklifts, electric vehicles, and industrial trucks and equipment. All models are supplied with an enclosed base and all necessary mounting hardware.

Specifications :	Options :
<p>Dimensions (dia. x h.) : 462121 2.9 in x 4.4 in (73mm x 110mm) 462141 2.9 in x 4.4 in (73mm x 110mm)</p> <p>Flash rate : 70 ± 5 per min.</p> <p>Voltage : 12-72 VDC</p> <p>Amp draw : 0.3 @ 12 V</p> <p>Ship Weight : 0.9 lbs (0.4 kg) approx.</p> <p>Joules : 2.2 J</p> <p>Power : 2.6 W</p>	<p>462400 Magnetic mount kit</p> <hr style="border: 1px solid black;"/> <p>Replacement parts :</p> <p>462500-02 Amber dome 462510 Flash tube assembly 462520 Trim ring 462530 Dome gasket 462540 Mounting gasket</p>

NUMÉROS NUMBERS	DESCRIPTION
462121	Feu stroboscopique ambre <i>Strobe beacon amber</i>
462141	Feu stroboscopique magnétique ambre <i>Strobe beacon magnetic amber</i>
462400	Ensemble de montage magnétique <i>Magnetic mounting kit</i>
462500-02	Lentille de remplacement ambre <i>Replacement dome lens amber</i>
462510	Tube clignotant <i>Flashtube assy</i>
462520	Anneau de finition <i>Trim ring</i>
462530	Joint de lentille <i>Dome gasket</i>
462540	Joint de montage <i>Mounting gasket</i>

Feux stroboscopiques junior *Junior strobe lamp*

This low profile strobe works in multiple voltages (12-48VDC) without requiring any modifications or adjustments. It is protected against reverse polarity and voltage spikes. The 401 strobe features a rubber base that resists corrosion, and absorbs harsh shock. This 5-joule strobe is also available with a magnetic mount that includes cord and cigarette lighter plug adapter.



Pièces de rechange / Replacement parts:

- 211141** Flash tube
- 211140** 12-48 VDC power supply, single flash
- 601501** Amber dome

Options:

- 210387** Wiring kit, one strobe
- 210376** Wiring kit, two strobes

Spécifications:

Dimensions (dia. x H.) : 5.9 in x 5.7
(150 mm x 145 mm)

Joules: 5J

Power: 5.8W

Flash rate : 70/min.

Voltage : 12-48 VDC

Amp draw : 0.65 @ 12 V to 0.16 @ 48V

Ship. weight : 1.6 lbs (0.73 kg)
2.6 lbs (1.2 kg) magnet

NUMÉROS NUMBERS	DESCRIPTION
745266 (220300)	Feu stroboscopique junior 12-48 VDC volts (ambre) / <i>Junior strobe lamp 12-48VDC volts (amber)</i>
745270 (220308)	Même que 745266 mais magnétique / <i>Same as 745266 but magnetic mount</i>
735169 (211141)	Tube clignotant (tous les modèles) / <i>Flash tube (all models)</i>
731937 (601501)	Lentille ambre en polycarbonate / <i>amber polycarbonate lens</i>

Lampe rotative Sentinel / Sentinel rotating beacons

Sentinel

The innovative design of the Sentinel halogen beacon enables it to be both effective and economical. Corrosion-resistant, high-impact materials make the Sentinel beacon the durable, reliable choice. Its unique "brand drive" rotator operates quietly and efficiently. All Sentinel halogen beacons meet SAE J845 Class 2 specifications for rotating lights and also have CE and E approvals.

The "quick-change" base models allow you to replace damaged units in seconds. They also speed transfers from vehicle to vehicle. The flexible quick-change base provides an additional measure of protection from damage. If the light comes in contact with a branch or other obstruction, the flexible base will give. Both quick-change base models require the use of a quick-change mount.



Specifications :	Options :
<p>Dimensions (dia. x h.): 5.2 in x 12.4 in (132 mm x 315 mm)</p> <p>Ship. weight : 1.5 lbs (0.7 kg) approx.</p> <p>Flash rate : 120 per minute</p> <p>Voltage : 12 VDC</p> <p>Amp draw : 4.3 @ 12V</p>	<p>460300 Quick-change mount for pipe or surface mount</p> <p>460310 Quick-change mount with tilt feature for surface mount</p>
Replacement parts :	
	<p>460500-02 Amber dome</p> <p>439238 Bulb</p> <p>460510 Rotator drive band</p> <p>460520 Insert for quick-change base</p>

NUMÉROS NUMBERS	DESCRIPTION
460672	<p>Lampe halogène rotative Sentinel flexible ambre</p> <p><i>Flexible Sentinel halogen beacon amber</i></p>


DA2200-38

**DA2200-36HD
DA2200-38HD**

**DA2200-36SD
DA2200-38SD
DA2200-39SD**

CLC838

<p>Feux de changement de direction à deux lentilles Boîtier en plastique antichoc, avec lentille à fixation rapide de 1/2 pouce de diamètre, tige creuse en acier plaquée à montage vertical. Une lentille rouge et une ambre : 706139 ampoule à contact simple no. 1156 606139 706140 ampoule à contact double no. 1157 Pièces de rechange : 731817 lentille en acrylique rouge 631817 731818 lentille en acrylique ambre 631818</p>	<p>Feux de changement de direction à deux lentilles Boîtier moulé sous pression, tige creuse en acier de 1/2 pouce de diamètre, montage vertical. Fini émail noir : Ampoule à contact simple no. 1156 706071 une lentille rouge et une ambre 706235 deux lentilles ambres Ampoule à contact double no. 1157 706284 deux lentilles ambres 706072 une lentille rouge et une ambre</p>
---	---

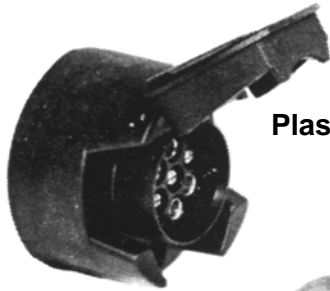
NUMÉROS NUMBERS	DESCRIPTION
706071	Feu de changement de direction à deux lentilles 1 rouge et 1 ambre. Contact simple no. 1156 <i>Double face directional signal lamps. One red and one amber lens simple contact bulb no. 1156</i>
706072	Feu de changement de direction à deux lentilles 1 rouge et 1 ambre. Contact double no. 1157 <i>Double face directional signal lamps. One red and one amber lens double contact bulb no. 1157</i>
CLC838	Même que 706072 mais fini chrome <i>Same as 706072 but chromium finish</i>
731790	Lentille rouge en acrylique <i>Red acrylic lens, 3-screw mount</i>
731791	Lentille ambre en acrylique <i>Amber acrylic lens, 3-screw mount</i>
731817	Lentille rouge en acrylique <i>Red acrylic lens, snap-on</i>
731818	Lentille ambre en acrylique <i>Amber acrylic lens, snap-on</i>
706219	Feu d'avertissement 2 lentilles jaunes <i>Double face warning lamp amber</i>
DA2200-102	Ampoule 12 volts (1156) <i>Bulb 12 volts (1156)</i>
DA2200-104	Ampoule 12 volts (1157) <i>Bulb 12 volts (1157)</i>
DA2200-36	Clignotant 12 volts, 2 bornes / <i>Automotive flashers 12 volts, 2 pin</i>
DA2200-38	Clignotant 12 volts, 3 bornes / <i>Automotive flashers 12 volts, 3 pin</i>
DA2200-36HD	Clignotant 12 volts, 2 bornes H.D. / <i>Heavy duty flasher 12 volts, 2 pin</i>
DA2200-38HD	Clignotant 12 volts, 3 bornes H.D. / <i>Heavy duty flasher 12 volts, 3 pin</i>
DA2200-36SD	Clignotant 12 volts, 2 bornes, service intensif <i>Super duty flasher 12 volts, 2 pin</i>
DA2200-38SD	Clignotant 12 volts, 3 bornes, service intensif <i>Super duty flasher 12 volts, 3 pin</i>
DA2200-39SD	Clignotant 24 volts, 3 bornes, service intensif <i>Super duty flasher 24 volts, 3 pin</i>

Lampe "Body" en caoutchouc / Rubber lamp

NUMÉROS NUMBERS	REPLACE REPLACE	DESCRIPTION
DA2200-42	505-12 (L505-12V)	Lampe 12 volts, diamètre 5", épaisseur 3", complète avec <i>sealed beam</i> L4411 <i>Lamp with sealed beam, 12 volts, diameter 5"</i>

Fiches à 7 goupilles / 7 pin plugs

Femelle / female



Plastique / plastic

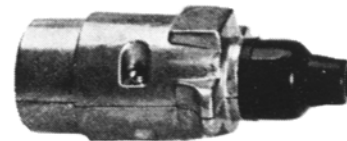


Métal / metal

Mâle / male



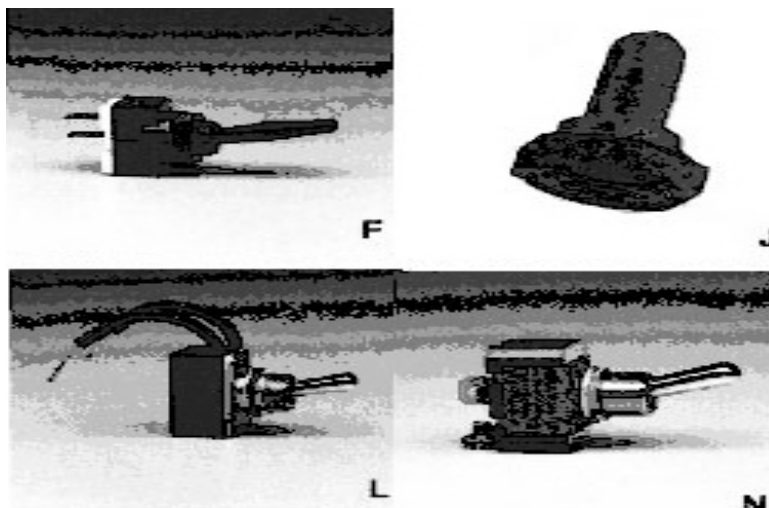
Plastique / plastic



Métal / metal

NUMÉROS NUMBERS	DESCRIPTION
DA2500-101	Prise électrique femelle (en plastique) <i>Female electric plug (plastic)</i>
DA2500-201	Prise électrique mâle (en plastique) <i>Male electric plug (plastic)</i>
DA2500-100	Prise électrique femelle (en métal) <i>Female electric plug (metal)</i>
DA2500-200	Prise électrique mâle (en métal) <i>Male electric plug (metal)</i>
DA2510-00	Câble électrique 7 conducteurs <i>7 core elect cable (6 strands : 12.75 Amps, 1 strand : 21.75 Amps)</i>

Commutateurs / Switches



All switches rated 16 amps at 12 VDC unless otherwise noted.

NUMÉROS NUMBERS	REF	DESCRIPTION
210620 (34-219)	F	Commutateur à levier long 2 positions <i>Toggle switch, unlit 2 positions, long lever type</i>
25-370	J	Protecteur de caoutchouc avec 15/32" - 32 filets <i>Toggle rubber boot with 15/32"-32 thread</i>
210631 (34-513)	L	Commutateur à levier avec 2 fils 6" pour trou 1/2" (6 amps) utiliser <i>Toggle switch, supplied with 2x 6" leads, fits in 1/2" diameter hole</i>
210633 (34-212)	N	Commutateur à levier chrome 35A (2 positions) <i>Chrome on metal toggle switch, rated 35 amps (2 positions)</i>

Commutateur à levier long / *Reversing toggle switch*

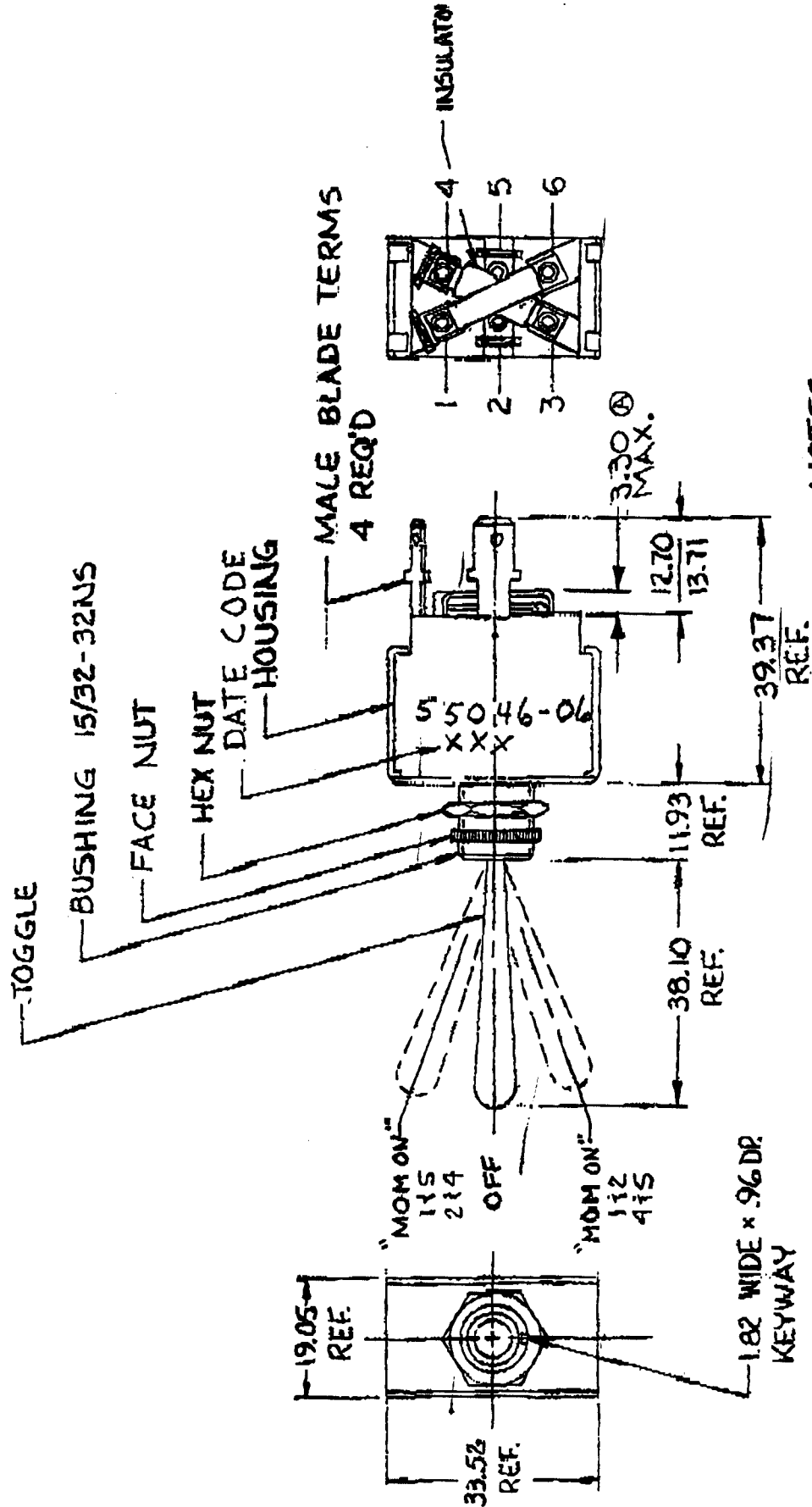
Function			Number of terminals	Handle type
Up position	Center position	Down position		
Mom. On	Off	Mom. On	4	Long

Double pole - Double throw

Pour lance-balles M.F. N.H. etc.

Voir dessin au verso / *See drawing on reverse side*

NUMÉROS NUMBERS	DESCRIPTION
DA2200-330	Commutateur à levier long (remplace M.F. 153641M1) <i>Reversing toggle switch (replace M.F. 153641M1)</i>

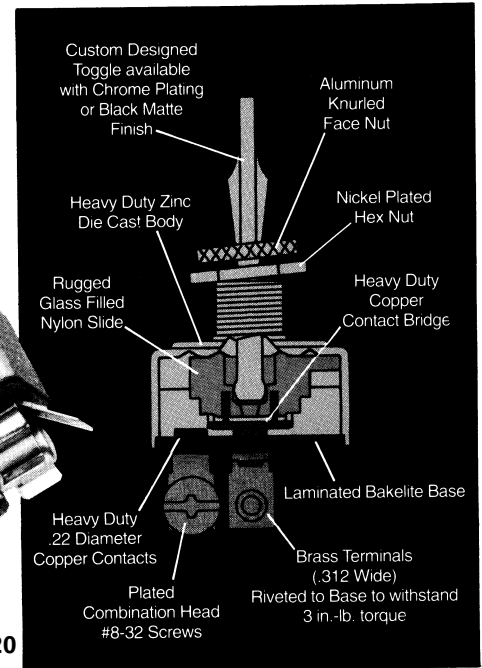
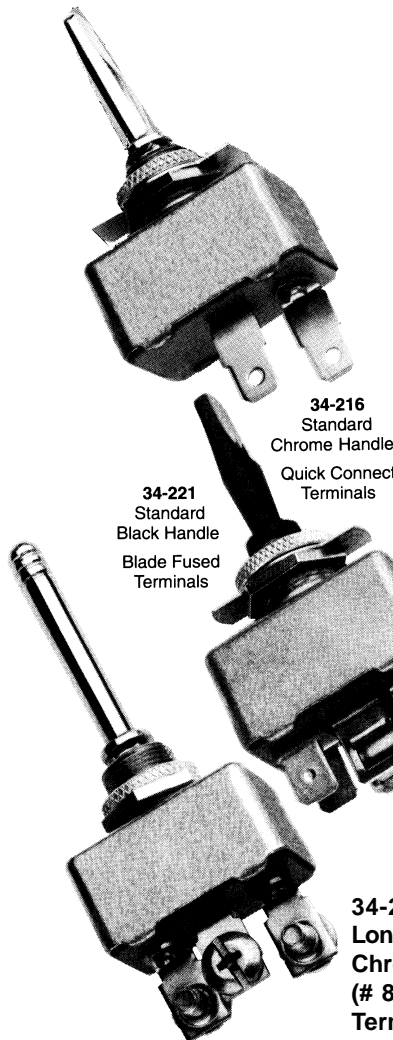
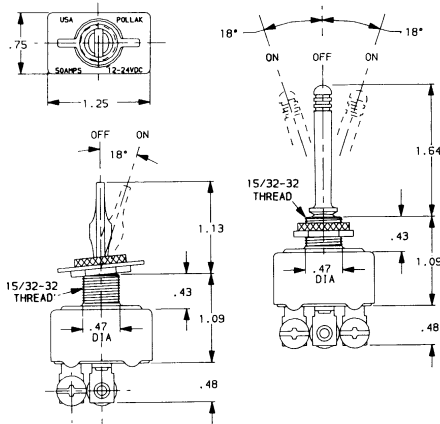


- NOTES:**
1. ALL STEEL PARTS PLATED
 2. 25 AMPS @ 12 V.D.C.
 3. O-RING SEALED.

Commutateur reversing toggle switch

50 AMPS 6-24 Volt Systems

Pollak Toggle Switches designed for your most Heavy-Duty applications. Oversized internal copper contacts will carry up to 50 AMP current loads. Provides the longest possible service life. (Note: Quick-Connect Blade terminals will carry 30 AMPS.)



Numéro Number	Position Circuitry	Terminal Type Terminal Type	Poignée Handle	DC Volts Amp
S.P.S.T (Simple pôle - Single pole single throw)				
34-212	On - Off	2 vis (2 Screw)	Std 1" - chrome	12 50
34-213	On - Off	2 vis (2 Screw)	Std 1.5" - chrome	12 50
34-216	On - Off	2 tiges (2 Blades)	Std 1" - chrome	12 30
34-217	On - Off	2 Fusibles 30 amp (2 Fuses)	Std 1" - chrome	12 30
34-219	On - Off	2 vis (2 Screw)	Std 1" - noir - black	12 50
34-221	On - Off	2 Fusibles 30 amp (2 Fuses)	Std 1" - noir - black	12 30
S.P.D.T (Simple pôle - Single pole double throw)				
34-218	On - Off - On	3 vis (3 screw)	Std 1" - chrome	12 50
34-222	On - Off - On	3 vis (3 screw)	Std 1" - noir - black	12 50
34-215	Mom On - Off - Mom On	3 vis (3 screw)	Std 1" - chrome	12 50
34-220	Mom On - Off - Mom On	3 vis (3 screw)	Long 1.5" - chrome	12 50

Pulsator ® 451 PLUS

The pulsator ® 451 Plus has been updated for improved performance. The Pulsator 451 Plus features a new state-of-the-art, 8-joule, power supply for improved light output and warning effectiveness. This low-profile strobe combines advanced dome optics with a high-performance power supply to produce a brilliant flash that meets SAE Class 2 requirements.



Pulsator 451 Plus strobes are exceptionally durable. The power supply is moisture and vibration resistant and protected against reverse polarity, voltage spikes and RFI. The patented base design and O-ring gasket combine to seal out moisture and contaminants. All models feature modular construction that provides quick access to internal components. The impact-resistant, polycarbonate, dome and base provide added durability in heavy-duty applications.

Heavy-duty models feature a gel-filled base that completely encases the power supply for extra protection against vibration and moisture. The encased power supply allows superior performance in extreme high-vibration environments.

Pulsator 551 Plus models are available in 8-joule (double & quad-flash), 12-48 VDC versions and 115 Volts (5-joule/single & double-flash) AC versions. All models use a helical strobe tube that is easily replaceable. All models include the necessary mounting hardware.

Options :

200069	Bottom plate
210890	Magnetic mount kit
210891	Self-adhesive mounting kit
210892	Suction cup kit
210893	1/2" pipe mount
210894	3/4" pipe mount
210895	1" pipe mount
210876	Amber dome with black top disc
205009	Black top disc
210387	Wiring kit, one strobe
210376	Wiring kit, two strobes

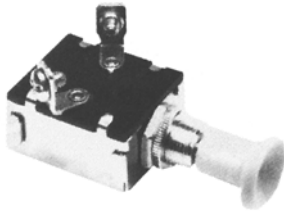
Pièces de remplacement / Replacement parts

2005082A-23-95	12-48VDC power supply, double flash
2005082A-02-95	12-48 VDC power supply, quad flash
439411	Flash tube
211456	115 VAC power supply
208567	Amber dome

Specifications :

Dimensions (dia. x h.):	6.5 in x 4.0 in (165 mm x 102 mm)
Flash rate :	80/min (double) 75/min (quad) 70/min (AC model)
Voltage :	12-48 VDC 115 VAC
Amp draw :	0.9 @ 12V to 0.25 @ 48V 0.1 @ 115V
Joules:	8J (double quad) 5J (AC models)
Output Power:	10.7W (double) 10W (quad) 5.8W (AC model)
Ship weight:	1.3 lbs (0.6 kg) 1.6 lbs (0.2 kg) (Heavy duty)

NUMÉROS NUMBERS	DESCRIPTION
211823	Feu stroboscopique ambre profile bas usage intensif 8J, heavy duty double flash 12-48 VDC Low profile heavy duty strobe light amber double flash 12-48 VDC

MODERATE DUTY

35-300

2 Positions OFF-ON 25 Amp at 6V.
15 Amp at 12V. Mounting Stem 5/8" long.
7/16" Dia. Ivory plastic knob.


34-571

On-Off S.P.S.T. 2 Positions / 2 screw terminals

34-571Q

On-Off S.P.S.T. 2 Positions / 2 blade terminals

34-572

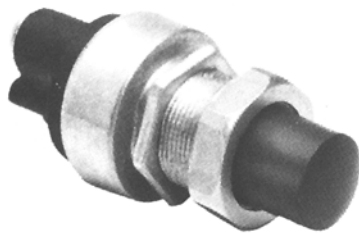
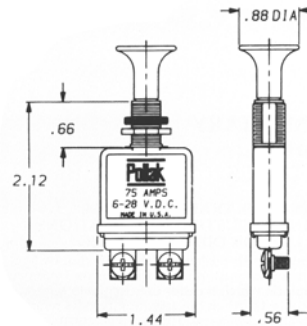
On-On S.P.D.T. 2 Positions / 3 screw terminals.

34-572Q

On-On S.P.D.T. 2 Positions / 3 blade terminals.

EXTRA HEAVY DUTY
35-306

6-28 Volts - 75 amp. D.C.
2 Positions S.P.S.T. Off-on
Heavy duty die-cast body,
chrome plated. Knob cooper terminals,
mounting stem 5/8"
long, 15/32" dia.


24-359

60 Amps at 12V, 40 amps at 24V.
Silver contacts. Flush terminal screws
in molded insulator. Housing rolled
over insulator to seal out dust and
moisture. Hex back nut, bright
polished face nut and black molded
plunger. Mounting stem 5/8" long, 5/8"
dia thread. Overall length 1-13/16"
housing dia 15/16".

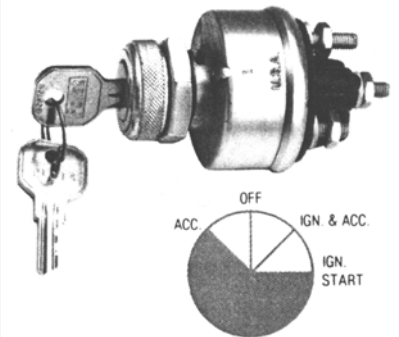
MOMENTARY START

24-360

60 Amps at 12V, 40 amps at 24V,
weather and dustproof.
Same as #24-359 except with #
25-358 cap and face nut, to seal
out weather and dust.

25-372

Protection collar
safety bezel with 5/8"-
32 thread may be used
on #24-259, #52-611,
#33-200 and on other
momentary switches with this
mounting stem dimension.


31-103

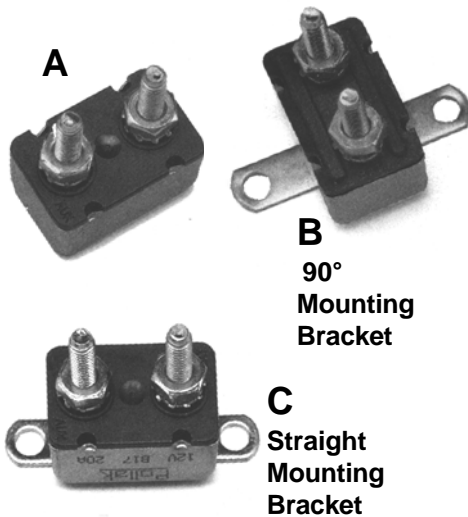
4 Positions - two keys
supplied. Terminal nuts,
lock washers, hex back
nut, knurled face nut
supplied, die cast housing.
Fits panels with
3/4" hole, bushing 3/4" long.

**Automatic Reset
Universal -
Meets SAE J553**

(Terminal hardware included)

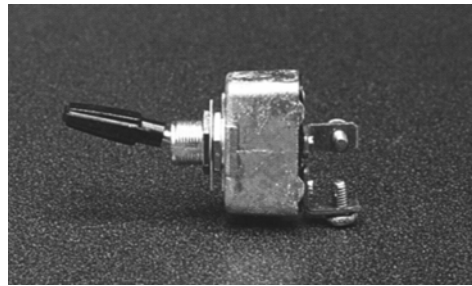
Operating temperature - 10°F to 150°F

Storage temperature - 20°F to 200°F



A Less Mounting		Ampere Rating
Part No.		
54-108		8
54-115		15
54-120		20
54-125		25
54-130		30
54-140		40
54-150		50
With 90° Mounting Bracket		Ampere Rating
Part No.		
54-215		15
54-220		20
54-225		25
54-230		30
54-240		40
54-250		50
Straight Mounting Bracket		Ampere Rating
Part No.		
54-515		15
54-520		20
54-525		25
54-530		30
54-540		40

Commutateur / Switch

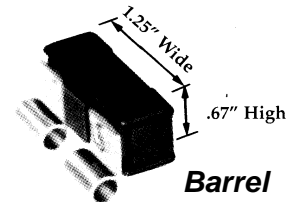


S.P.S.T. two positions off / on. Two heavy brass screw terminals. 11/16" (17 mm) long black plastic handle. Nickel-plated off / on indicator. Die-cast housing, copper contacts and contactors. Rating : 50 amps at 6-24 VDC. Mounting stem 7/16" (11 mm) long, 15/32" (12 mm) diameter.

765012

Remplacé par **SW5038**

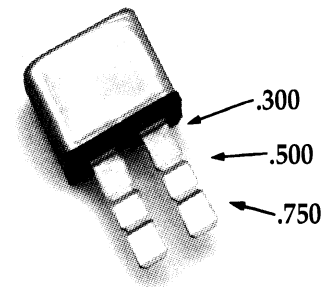
**Remote Reset
Snap-Ins**



New 12 volt remote reset circuit breaker. Replaces glass style fuses in existing fuse blocks. Opens automatically on overload. Remains open for protection until trouble is corrected.

Part No.	Ampere Rating
54-410	10
54-415	15
54-420	20
54-430	30
54-440	40







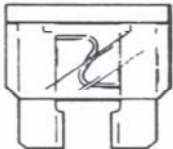
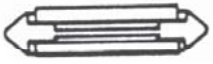
Blade Terminals



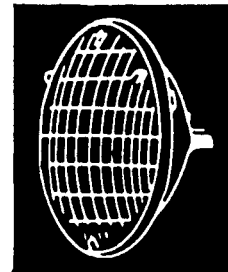
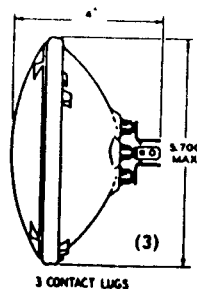
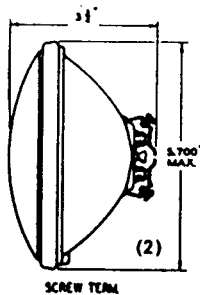
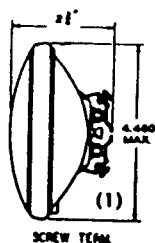
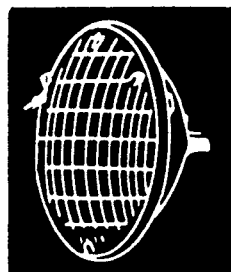
Blade type is replacement for GM fuse application. Offers similar protection as 54-400 series.

Heavy Duty replacement for ATO and ATC blade type fuses. Special "snap off" feature provides three lengths from .300 to .750 long.

Blade Type Part No.	Ampere Rating
54-710	10
54-715	15
54-720	20
54-725	25
54-730	30

ILLUSTRATIONS	NUMÉROS NUMBERS	REPLACE REPLACE	DESCRIPTION
	DA2200-300	2124	Interrupteur pour lampe 6 ou 12 volts, complète avec fusible 20 ampères (était L5067) <i>Switch for lamp 6 or 12 volts, complete with 20 amp. fuse</i>
	DA2200-400	20 AMP UFH9142BP FH14	Porte-fusible incluant étui pour fusible 20 ampères et un bout de fil. Pour installation sur 1 ligne <i>Fuse holder including 20 amp. fuse and a length of wire</i>
	DA2200-404 DA2200-406		Porte-fusible imperméable "HD" pour fusible 30 ampères et fil (12GA) <i>Fuse holder water proof for 30 amp fuse and wire 12 ga</i> Porte-fusible ATO, CAL.16 sans fusible <i>ATO fuse holder 16 GA without fuse</i>
	DA2200-401	FH12	Porte-fusible H.D. incluant étui pour fusible 30 ampères et un bout de fil (12 GA). Pour installation sur 1 ligne <i>Fuse holder including 30 amp. fuse and a length of wire (12 GA)</i>
	DA2200-403 DA2200-405	FH12A	Porte-fusible en ligne "ATO/ATC" pour usage intensif avec fusible de 30A, cond CAL. 12,2 H.D. fuse holder including 30A. fuse (in line "ATO/ATC") Porte-fusible "ATO" pour fusible 20 ampères et fil (14 ga) <i>Fuse holder ATO for 20 amp fuse and wire (14 ga)</i>
	733003 733009 764537		Spirale de raccord contact simple, longueur 7" <i>Pigtail single contact, length 7"</i> Spirale de raccord contact double universel <i>Pigtail double contact universal</i> Spirale de raccord contact simple <i>Pigtail single contact ass</i>
 ATO® BLADE	ATO3 ATO5 ATO7.5 ATO10 ATO15 ATO20 ATO25 ATO30		Fusible 3 ampères / <i>Fuse 3 amp.</i> Fusible 5 ampères / <i>Fuse 5 amp.</i> Fusible 7.5 ampères / <i>Fuse 7.5 amp.</i> Fusible 10 ampères / <i>Fuse 10 amp.</i> Fusible 15 ampères / <i>Fuse 15 amp.</i> Fusible 20 ampères / <i>Fuse 20 amp.</i> Fusible 25 ampères / <i>Fuse 25 amp.</i> Fusible 30 ampères / <i>Fuse 30 amp.</i>
Style européen  <i>European type porcelain GBC (25 mm x 6 mm)</i>	GBC5 GBC8 GBC16 GBC25		Fusible 5 ampères / <i>Fuse 5 amp.</i> Fusible 8 ampères / <i>Fuse 8 amp.</i> Fusible 16 ampères / <i>Fuse 16 amp.</i> Fusible 25 ampères / <i>Fuse 25 amp.</i>

Sealed beams pour tracteurs

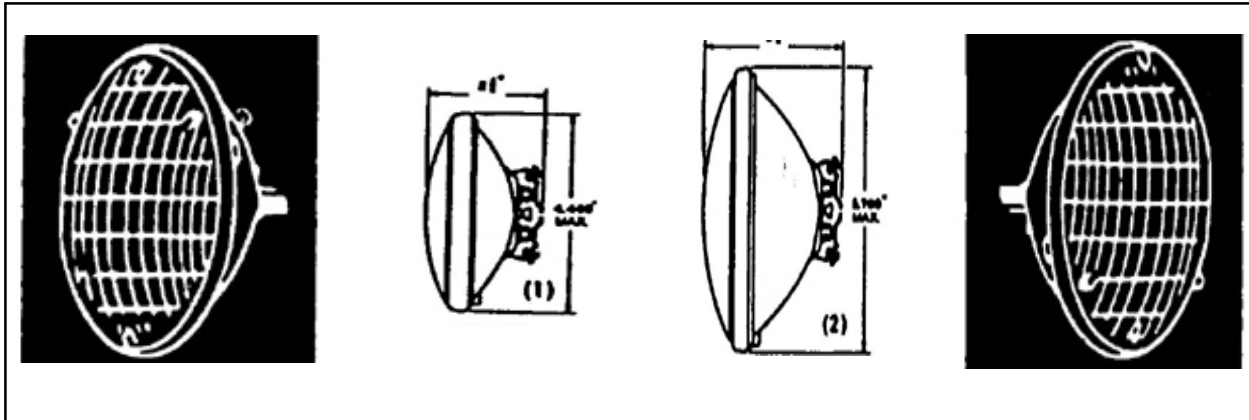


NUMÉROS NUMBERS	REPLACE REPLACE	DESCRIPTION
DA2020-200 DA2020-210 DA2020-222 DA2020-230	L4411 AC,230232 L4511 AC,232921 L4419 AC,230252 L4460X AC,268648	TRACTEURS ALLIS-CHALMERS / ALLIS-CHALMERS TRACTORS <i>Sealed beam 12 volts, 4-1/2" de diamètre, type 1</i> Tracteurs D10, D12, D14, D21, 170, 180 <i>Sealed beam 6 volts, 4-1/2" de diamètre, type 1</i> Tracteurs D10, D12 <i>Sealed beam 12 volts, 5-3/4" de diamètre, type 2</i> Tracteurs D10, D12, D15, D17, 190 <i>Sealed beam 12 volts, 4-1/2" de diamètre, type 1</i> 3 Connecteurs "dimmer"
DA2020-200 DA2020-212	L4411 Case, A24572 L4406 Case, A42294	TRACTEURS CASE / CASE TRACTORS <i>Sealed beam 12 volts, 4-1/2" de diamètre, type 1</i> <i>Sealed beam 12 volts, 4-1/2" de diamètre, type 1</i>
DA2020-200 DA2020-262	L4411 K962145 L4440X K962146	TRACTEURS DAVID-BROWN / DAVID-BROWN TRACTORS <i>Sealed beam 12 volts, 4-1/2" de diamètre, type 1</i> Tracteurs 770, 880, 990, 1200 jusqu'en 1962 <i>Sealed beam 12 volts, 3 connecteurs "dimmer", type 3, numéro G.E. 4440X</i>
DA2020-210 DA2020-200 DA2020-212 DA2020-230	L4511 J-D, A-F3893R L4411 J-D, A-F3892R L4406 J-D, AR21059 L4460X J-D, AR48723	TRACTEURS JOHN-DEERE / JOHN-DEERE TRACTORS <i>Sealed beam 6 volts, 4-1/2" de diamètre, type 1</i> <i>Sealed beam 12 volts, 4-1/2" de diamètre, type 1</i> <i>Sealed beam 12 volts, 4-1/2" de diamètre, type 1</i> <i>Sealed beam 12 volts, 4-1/2" de diamètre, 3 connecteurs "dimmer"</i>
DA2020-220 DA2020-222 DA2020-210 DA2020-200 DA2020-230 DA2020-262	L4019 Ford 310061 L4419 Ford 310062 L4511 Ford 312554 L4411 Ford 312555 L4460X D3NN-13N007A L4440X C5NN-13N007A D6NN-13N00A	TRACTEURS FORD / FORD TRACTORS <i>Sealed beam 6 volts, 5-3/4" de diamètre, type 2</i> <i>Sealed beam 12 volts, 5-3/4" de diamètre, type 2</i> <i>Sealed beam 6 volts, 4-1/2" de diamètre, type 1</i> <i>Sealed beam 12 volts, 4-1/2" de diamètre, type 1</i> <i>Sealed beam 12 volts, 4-1/2" de diamètre, 3 connecteurs "dimmer"</i> Ford 8000, 9000 et autres <i>Sealed beam 12 volts pour Ford venant de l'Angleterre à compter de 1965,</i> Type 3, 4-1/2" de diamètre, 3 connecteurs "dimmer", no. GE4440X

"SEALED BEAMS" POUR TRACTEURS

NOS. DE COMMANDE ORDER NOS.	REPLACE REPLACE	DESCRIPTION
		POUR INTERNATIONAL-HARVESTER TRACTORS
DA2020-220	L4019 371457R91.	"Sealed beam", 6 volts, 5-3/4" dia., type-2.
DA2020-222	L4419 371443R91.	"Sealed beam", 12 volts, 5-3/4" dia., type-2.
DA2020-210	L4511 373661R91.	"Sealed beam", 6 volts, 4-1/2" dia., type-1.
DA2020-200	L4411 373662R91	"Sealed beam", 12 volts, 4-1/2" dia., type-1.
DA2020-262	L4440X 3072947R91	"Sealed beam, 12 volts, 4-1/2" dia., type 3, "dimmer" no. GE4440X.
		POUR MASSEY-FERGUSON TRACTORS
DA2020-220	L4019 1002802M91	"Sealed beam", 6 volts, 5-3/4" dia., type-2 Tracteurs TO-20, TO-30, TO-35
DA2020-222	L4419 1002803M91 1038428M91	"Sealed beam", 12 volts, 5-3/4" dia., type-2 Tracteurs TO-35, 50, 65 et autres
DA2020-200	L4411 1752866M91	"Sealed beam", 12 volts, 4-1/2" dia., type-1 Pour lampes dans les ailes MF150, 154, 1100, 1130
DA2020-212	L4406 505285M91	"Sealed beam", 12 volts, 4-1/2" dia., type-1 MF135 avec lampes sur le côté des ailes.
DA2020-264	L4440X1 535505M1	"Sealed beam", 12 volts. 4-1/2" dia., no. GE 4440X1. Tracteurs MF235, 265, 275, 285
		"SEALED BEAM" NUMEROS G-E
DA2020-200	L4411	"Sealed beam" 12 volts, 4-1/2" dia., type-1
DA2020-210	L4511	"Sealed beam" 6 volts, 4-1/2" dia., type-1
DA2020-212	L4406	"Sealed beam" 12 volts, 4-1/2" dia., type-1
DA2020-220	L4019	"Sealed beam" 6 volts, 5-3/4" dia., type-1
DA2020-222	L4419	"Sealed beam" 12 volts, 5-3/4" dia., type-1
		NUMEROS G-E, 3 CONNECTEURS "DIMMER"
DA2020-230	L4460X	"Sealed beam" 12 volts, 4-1/2" dia., 3 connecteurs " dimmer"
		NUMEROS G-E, 100 WATTS, HAUTE INTENSITE
DA2020-240	L4509	"Sealed beam" 12 volts, 4-1/2" dia., 100 watts Remplace L4411 (DA2020-200) mais éclaire mieux
		NUMEROS G-E COMBINES "ROUGE & BLANC"
		"SEALED BEAM" NUMEROS O.E.M.
DA2020-262	K962146	"Sealed beam" 12 volts, David-Brown (GE4440X)
DA2020-262	C5NN13N007A D6NN13007A	"Sealed beam" 12 volts, Ford de l'Angleterre (GE4440X)
DA2020-262	3072947R91	"Sealed beam" 12 volts, I-H de l'Angleterre (GE4440X)
DA2020-264	535505M1	"Sealed beam" 12 volts, Massey-Ferguson (GE4440X1)

**“ SEALED BEAMS” HALOGÈNE
POUR TRACTEUR - FOR TRACTORS**



**12 VOLTS “SEALED BEAM BULBS” AVEC
LAMPE HALOGÈNE SPÉCIALE 50 WATTS
3.9 AMPÈRES AVEC 2 TERMINAUX VISÉS.**




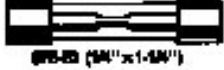



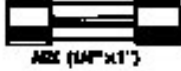

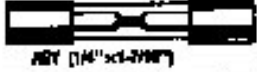
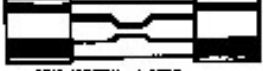
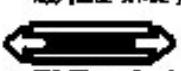

**12 VOLTS SEALED BEAM BULBS WITH
SPECIAL INNER HALOGEN BULBS
50 WATTS, 3.9 AMP BULBS WITH 2
SCREWS TERMINALS**



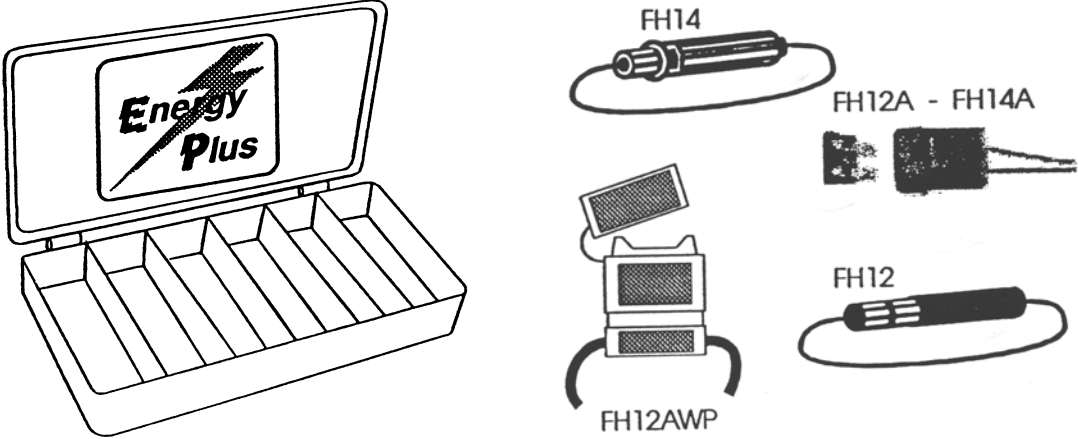
**HALOGÈNE “ SEALED BEAM
BULB”**

NUMÉRO NUMBER	DESCRIPTION
H7610	<p>“Sealed Beam” Halogène, 4 -1/2 dia., capacité de 5 200 chandelles, lumière trapézoïdale. Même utilisation que L4411 (DA2020-200). Halogene sealed beam bulb, 4- 1/2 dia., 5 200 candle power. Trapezoidal light patern. Can be used in place of L4411</p>
H7619	<p>“ Sealed Beam” Halogène, 5 -3/4 dia., capacité de 6 000 chandelles, lumière trapézoïdale. Même utilisation que L4419 (DA2020-222). Halogene sealed beam bulb, 5 -3/4 dia., 6 000 candle power. Trapezoidal light pattern. Can be used in place of L4419</p>

Assortiments de Fusibles Fuse Assortments

Illustrations	Numéros Numbers	Description
	FAATO100	Assortiment de fusibles contient: 100 x ATO type de ATO5 à ATO30 <i>Fuse assortment contents: 100 x ATO type from ATO5 to ATO30.</i>
		
		
		
		
		
		
		
		
		
	FAGBC30	Assortiment de fusibles contient: 30 x Porcelaine type GBC de GBC5 à GBC25. <i>Fuse assortment contents: 30 x GBC type from GBC5 to GBC25.</i>
		
	FAGL100	Assortiment de fusibles contient: 100 x Verre type de AGC5 à AGC30 & SFE14 à SFE30. <i>Fuse assortment contents: 100 x Glass type from AGC5 to AGC30 and SFE14 to SFE30.</i>

Support de fusibles - *Fuse holders*



The image shows an open 'Energy Plus' fuse holder kit. The kit includes several types of fuse holders: FH14 (twist lock), FH12A and FH14A (plug-in with cover), FH12 (bottle type), and FH12AWP (plug-in H.D. & waterproof). Each type is shown with a corresponding glass fuse.

8 X FH12	12 Ga. bottle type in line using glass fuse
6 X FH12A	12 Ga. plug-in type in line w/cover using ATO fuse
6 X FH12AWP	12 Ga. plug-in H.D. & waterproof using ATO fuse
8 X FH14	14 Ga. twist lock in line using glass fuse
6 X FH14A	14 Ga. plug-in type in line w/cover using ATO fuse

34 pcs

FH12	= DA2200-401
FH12A	= DA2200-403
FH12AWP	= DA2200-404
FH14	= DA2200-400
FH14A	= DA2200-405

Numéro Number	Description
FHA34	Ensemble de 34 supports de fusibles dans une boîte. (Fusibles inclus) <i>Fuse holder assortment in a box. (Fuses included)</i>