

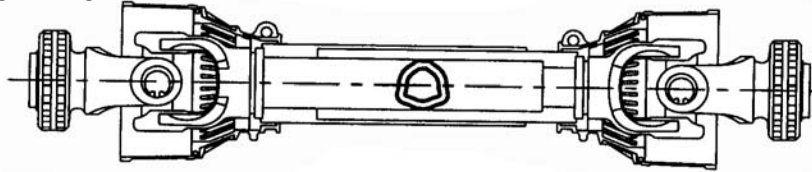
– FICHE D'IDENTIFICATION ET DONNÉES TECHNIQUES	3-4
– IDENTIFICATION AND TECHNICAL DATA SHEET	3-4
– MÂCHOIRES EXTÉRIEURES	
– OUTER YOKES	5 à 11
– CROISILLONS	
– CROSS KITS	12
– MÂCHOIRES POUR TUBE	
– INNER YOKES (FOR TUBE)	13
– JOINT DOUBLE	
– DOUBLE JOINT	14
– ÉLÉMENTS TÉLESCOPIQUES (TUBES)	
– TELESCOPIC MEMBERS (TUBE)	15
– DISPOSITIFS DE SÉCURITÉ	
– TORQUE LIMITING AND OVERRUNNING DEVICES	16 à 25
RA Roue libre - <i>Overrunning clutch</i>	16
SA Limiteur de couple à cames - <i>Ratchet torque limiter</i>	17
SB Limiteur de couple à boulon - <i>Shear bolt torque limiter</i>	18 & 26
SC Limiteur de couple automatique - <i>Automatic torque limiter</i>	19
FF1-2 Limiteur de couple à friction (2 Disques) - <i>Friction torque limiter (2-Plates)</i>	20
FF3-4 Limiteur de couple à friction (4 Disques) - <i>Friction torque limiter (4-Plates)</i>	21
FD1-2-3 Limiteur de couple à friction (2 Disques) - <i>Friction torque limiter (2-Plates)</i>	22
FD22-33 Limiteur de couple à friction (4 Disques) - <i>Friction torque limiter (4-Plates)</i>	23
FN2 Limiteur de couple à friction avec roue libre (2-disques) - <i>Friction torque limiter (2-Plates) w/overrunning</i>	24
FN22-33 Limiteur de couple à friction avec roue libre (4-disques) - <i>Friction torque limiter (4-Plates) w/overrunning</i>	25
– ENVELOPPES PROTECTRICES & AUTRES	
– SAFETY SHIELDING	26à31& 53

SÉRIE 650-660-670
SERIES 650-660-670

– FICHE D'IDENTIFICATION ET DONNÉES TECHNIQUES	32-33
– IDENTIFICATION AND TECHNICAL DATA SHEET	32-33
– MÂCHOIRES EXTÉRIEURES	
– OUTER YOKES	34
– CROIX	
– CROISILLONS	34
– JOINT GRAND ANGLE	
– WIDE ANGLE JOINT	35
– ÉLÉMENTS TÉLESCOPIQUES (TUBES)	
– TELESCOPIC MEMBERS (TUBE)	36
– JOINTS	
– U-JOINTS FOR SHAFTING	37

–	DISPOSITIFS DE SÉCURITÉ	
–	TORQUE LIMITING AND OVERRUNNING DEVICES	38 à 42
RAXA	Roue libre - <i>Overrunning clutch</i>	38
SAXA	Limiteur de couple à cames - <i>Ratchet torque limiter</i>	38
SBXA	Limiteur de couple à boulon - <i>shear bolt torque limiter</i>	39
SCXA	Limiteur de couple automatique - <i>automatic torque limiter</i>	39
FFXA1-2	Limiteur de couple à friction (2-disques) - <i>friction torque limiter (2-plates)</i>	40
FDXA3-4	Limiteur de couple à friction (4-disques) - <i>friction torque limiter (4-plates)</i>	40
FDXA1-2-3	Limiteur de couple à friction (2-disques) - <i>friction torque limiter (2-plates)</i>	41
FDXA22-33	Limiteur de couple à friction (4-disques) - <i>friction torque limiter (4-plates)</i>	41
FNXA2	Limiteur de couple à friction avec roue libre (2-disques) - <i>friction torque limiter (2-plates) w/overrunning clutch</i> ...	42
FNXA22-33	Limiteur de couple à friction avec roue libre (4-disques) - <i>friction torque limiter (4-plates) w/overrunning clutch</i> ...	42
–	PROTECTEUR POUR JOINT HOMOCINÉTIQUE	
–	SAFETY SHIELDING FOR C.V. JOINT	43
<hr/>		
ACCESSOIRES		
ACCESSORIES		
–	ANNEAU DE SOUTIEN	
–	PLASTIC RING	44
–	BOULON DE SÉCURITÉ	
–	SHEAR BOLT	44
–	GOUPILLES À ACCOUPLEMENT	
–	QUICK DISCONNECT PINS	45
–	BOLS	
–	SHAFT CONES	46-47
<hr/>		
PRISE DE FORCE ASSEMBLÉE		
P.T.O. SHAFT ASSY		
–	POUR SOUFFLEUSES À NEIGE	
–	FOR SNOWBLOWERS	48-49
–	POUR DÉBROUSSAILLEUSES	
–	FOR ROTARY CUTTERS	50
–	AUTRES	
–	OTHERS	51
–	AVEC JOINT HOMOCINÉTIQUE	
–	WITH C.V. JOINT	52
<hr/>		
–	BOÎTE D'ENGRENAGES POUR SOUFFLEUSE À NEIGE & PIÈCES POUR BOÎTE D'ENGRENAGE	
–	GEAR BOXES FOR SNOW BLOWER & PARTS FOR GEAR BOX	54-55-56
–	PRODUITS ALTERNATIFS	
–	ALTERNATIVE PRODUCTS	57
–	PRÉSENTOIR SEUL	
–	BARE AG-RACK	58

SERIE 100 - 1C0 - 1R0

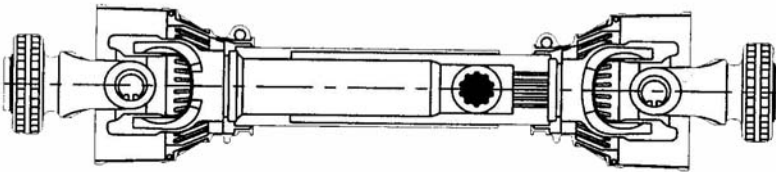


100 Tube intérieur normal
Standard tube

1C0 Tube intérieur cémenté
Inner tube heat treated

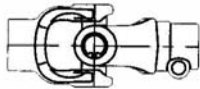
1R0 Tube intérieur rilsanisé
Inner tube rilsan coated

SERIE 400



JOINTS SIMPLES ET JOINTS DOUBLES
SINGLE AND DOUBLE JOINTS

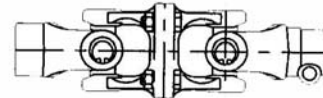
G



DG

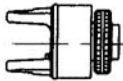


DGF

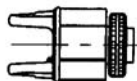


DISPOSITIFS DE SÉCURITÉ
TORQUE LIMITING AND OVERRUNNING DEVICES

RA



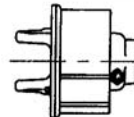
SA



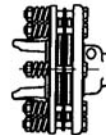
SB



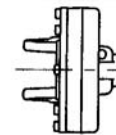
SC



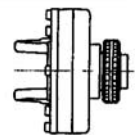
FF



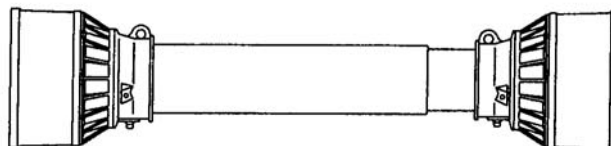
FD



FN



PROTECTEURS
SAFETY SHIELDING

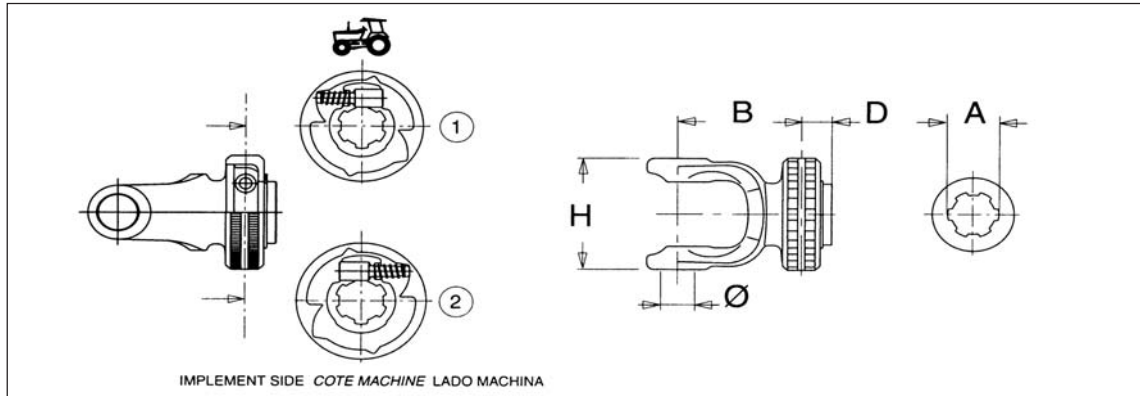




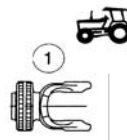
Dimension Size	Puissance Power		Croisillons Cross kit	Mâchoires Yokes	Profils Télescopiques Telescoping members		
	540rpm/min U/min Kw CV-HP	1000rpm/min U/min Kw CV-HP			100-1C0	1R0	400
1	12 16	18 25	 41201	 63,5 2 1/2"	 12502.... 12503....	 24504.... 12518....	 25 Z10 25 CUNA
2	15 21	23 31	 41202	 70 2 3/4"	 12504.... 12505....	 24504.... 12518....	 25 Z10 25 CUNA
3	22 30	35 47	 41203	 79,5 3 1/8"	 12505.... 12508....	 24505.... 12516....	 30 Z10 30 CUNA
4	26 35	40 55	 41204	 84 3 5/16"	 12507.... 12508....	 24510.... 12516....	 30 Z10 30 CUNA
5	35 47	54 74	 41205	 91 3 9/16"	 12509.... 12510....	 24516.... 12520....	 35 Z12 35 CUNA
6	47 64	74 100	 41206	 103 4 1/16"	 12509.... 12512....	 24516.... 12517....	 35 Z12 35 CUNA
7	55 75	87 118	 41207	 106 4 3/16"	 12511.... 12512....	 24518.... 12517....	 40 Z14 40 CUNA
8	70 95	110 150	 41208	 117 4 5/8"	 12512.... 12522....	 24569.... 12521....	 40 Z14 40 CUNA
9	88 120	140 190	 41209	 119 4 3/4"	 12513.... 12522....	 24574.... 12521....	 45 Z16 45 CUNA
10	106 145	170 230	 41210	 130,5 5 1/8"	 12514.... 12515....	 24525.... 12519....	 45 Z16 45 CUNA



MÂCHOIRES EXTÉRIEURES - OUTER YOKES



Voir page 57 pour produit alternatif
See page 57 for alternative product



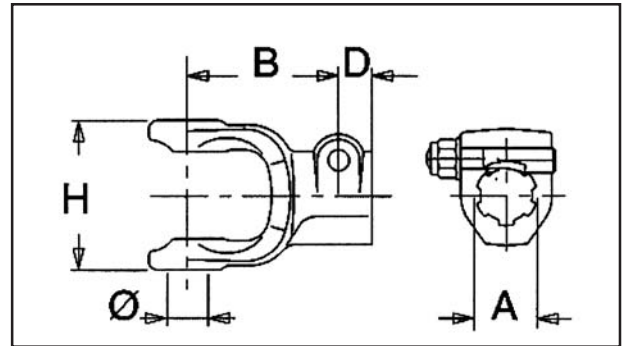
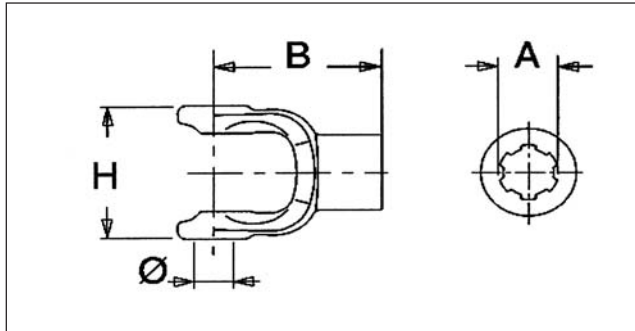
IMPLEMENT SIDE
COTE MACHINE



SERIE	H	Ø	B	D	A						
1	63,5 2-1/2"	22	76	17	1-3/8"Z6	572010351	240080061	572010361	240000361	403000001	
					1-3/8"Z21	572013751		572013761			
2	70 2-3/4"	23,8	80	21	1-3/8"Z6	572020351	240080061	572020361	240000361	403000001	
					1-3/8"Z21	572023751		572023761			
3	79,5 3-1/8"	27	83	21	1-3/8"Z6	572030351	240080061	572030361	240000361	403000001	
					1-3/8"Z21	572033751		572033761			
4	84 3-5/16"	27	87	21	1-3/8"Z6	572040351	240080061	572040361	240000361	403000001	
						1-3/8"Z21		572043751			572043761
			88	24	1-3/4"Z6	572040451	240040061	572040461	240000461	403000012	
						1-3/4"Z20		572043851			572043861
5	91 3-9/16"	30,2	90	21	1-3/8"Z6	572050351	240080061	572050361	240000361	403000001	
						1-3/8"Z21		572053751			572053761
				93	24	1-3/4"Z6	572050451	240040061	572050461	240000461	403000012
			1-3/4"Z20	572053851	572053861						
6	103 4-1/16"	30,2	97	21	1-3/8"Z6	572060351	240080061	572060361	240000361	403000001	
						1-3/8"Z21		572063751			572063761
				97	24	1-3/4"Z6	572060451	240040061	572060461	240000461	403000012
			1-3/4"Z20	572063851	572063861						
7	106 4-3/16"	35	98	21	1-3/8"Z6	572070351	240080061	572070361	240000361	403000001	
						1-3/8"Z21		572073751			572073761
				98	24	1-3/4"Z6	572070451	240040061	572070461	240000461	403000012
			1-3/4"Z20	572073851	572073861						
8	117 4-5/8"	35	105	21	1-3/8"Z6	572080351	240080061	572080361	240000361	403000001	
						1-3/8"Z21		572083751		572083761	403000013
				105	24	1-3/4"Z6	572080451	240040061	572080461	240000461	403000012
							1-3/4"Z20		572083851		
9	119 4-3/4"	41	107	21	1-3/8"Z6	572090351	240080061	572090361	240000361	403000001	
						1-3/8"Z21		572093751		572093761	403000013
				107	24	1-3/4"Z6	572090451	240040061	572090461	240000461	403000012
							1-3/4"Z20		572093851		
10	130,5 5-1/8"	41	113	21	1-3/8"Z6	572100351	240080061	572100361	240000361	403000001	
						1-3/8"Z21		572103751		572103761	403000013
				113	25	1-3/4"Z6	572100451	240040061	572100461	240000461	403000012
							1-3/4"Z20		572103851		

Les mâchoires pour les dimensions 8-9-10 sont fournies de série avec 2 verrous.
Size 8-9-10 yokes supplied with 2 QD pins.

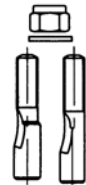
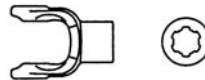
MÂCHOIRES EXTÉRIEURES - OUTER YOKES


Recommended tightening torques:

- 150 Nm (110 ft lbs) for 1 3/8" Z6 or Z21 profiles
- 220 Nm (160 ft lbs) for 1 3/4" Z6 or Z20 profiles

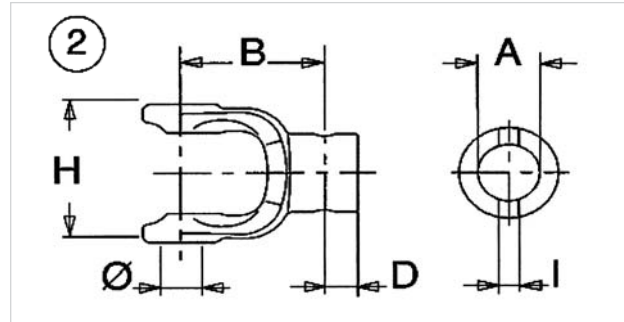
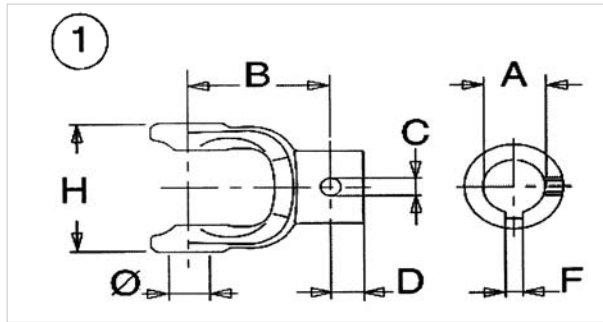
Couple de serrage préconisé:

- 150 Nm (110 ft lbs) pour profils 1 3/8" Z6 ou Z21
- 220 Nm (160 ft lbs) pour profils 1 3/4" Z6 ou Z20



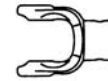
SERIE	H	Ø	A	B		B	D		
1	63,5	22	1-3/8" Z6	78	203010351	76	14	509010361	408000060
	2-1/2"		1-3/8" Z21		203013751			509013753	
2	70	23,8	1-3/8" Z6	82	203020351	80	19	509020355	408000060
			1-3/8" Z21		203023751			509023765	
	21 UNI221		203020951		-				
	26 UNI220		203021251		-				
3	79,5	27	1-3/8" Z6	92	203030351	83	19	509030360	408000060
	3-1/8"		1-3/8" Z21		203033751			509033753	
4	84	27	1-3/8" Z6	90	203040351	88	19	509040362	408000060
			1-3/8" Z21		203043751			509043754	
	3-5/16"		1-3/4" Z6		-		509040453	408000061	
			1-3/4" Z20		-		509043853		
5	91	30,2	1-3/8" Z6	98	203050351	90	19	509050360	408000060
			1-3/8" Z21		203053751			509053754	
	3-9/16"		1-3/4" Z6	98	203050451	90	24	509050453	408000061
			1-3/4" Z20		203053851			509053853	
6	103	30,2	1-3/8" Z6	105	203060351	97	19	509060361	408000060
			1-3/8" Z21		203063751			509063755	
	4-1/16"		1-3/4" Z6	116	203060451	97	24	509060453	408000061
			1-3/4" Z20		203063851			509063854	
7	106	35	1-3/8" Z6	119	203170351	98	21	509070353	408000060
			1-3/8" Z21		203173751			509073753	
	4-3/16"		1-3/4" Z6	119	203170451	98	24	509070452	408000061
			1-3/4" Z20		203173851			509073851	
8	117	35	1-3/8" Z6	120	203080351	105	19	509080355	408000060
			1-3/8" Z21		203083751			509083754	
	4-5/8"		1-3/4" Z6	120	203080451	105	24	509080455	408000061
			1-3/4" Z20		203083851			509083855	
9	119	41	1-3/8" Z6	131	203190351	107	24	509190352	408000060
			1-3/8" Z21		203193751			509193752	
	4-3/4"		1-3/4" Z6	131	203190451	107	24	509190452	408000061
			1-3/4" Z20		203193851			509193852	
10	130,5	41	1-3/8" Z6	138	203100351	113	25	509100353	408000060
			1-3/8" Z21		200103751			509103753	
	5-1/8"		1-3/4" Z6	138	203100451	113	25	509100455	408000061
			1-3/4" Z20		203103851			509103853	

MÂCHOIRES EXTÉRIEURES - OUTER YOKES



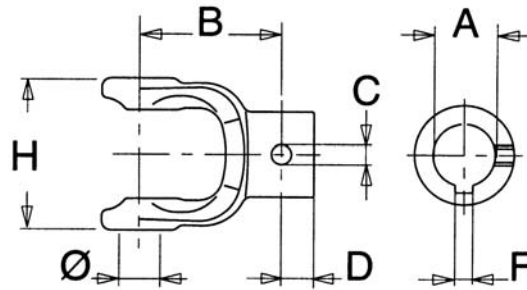
Voir page 57 pour produit alternatif

See page 57 for alternative product



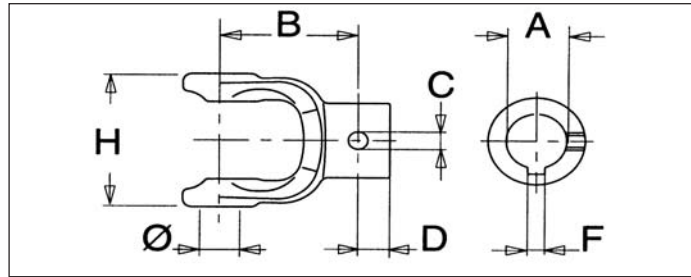
SERIE	H	Ø	A	B	D	F	C		B	D	I	
						Js9					H12	
1	63,5 2-1/2"	22	20	58	20	6	M8	212016752	63	15	6	211014451
			25	58	20	8	M10	212016151	63	15	8	211014651
			30	58	20	8	M10	212016251	65	15	10	211014851
			3/4"	2-1/4"	13/16"	3/16"	3/8" -16 UNC	212018451	2-7/16"	5/8"	3/8"	211018951
			1"	2-1/4"	13/16"	1/4"	3/8" -16 UNC	212018551	2-7/16"	5/8"	3/8"	211019001
2	70 2-3/4"	23,8	20	62	20	6	M8	212026752	67	15	6	211024451
			25	62	20	8	M10	212026151	67	15	8	211024651
			30	62	20	8	M10	216026251	67	15	10	211024851
			3/4"	2-7/16"	13/16"	3/16"	3/8" -16 UNC	212028451	2-1/2"	5/8"	3/8"	211028951
			1"	2-7/16"	13/16"	1/4"	3/8" -16 UNC	212028551	2-1/2"	5/8"	3/8"	211029051
			1/4"	2-7/16"	13/16"	5/16"	3/8" -16 UNC	212028651	2-1/2"	5/8"	3/8"	211029151
3	79,5 3-1/8"	27	25	72	20	8	M12	212036151	72	20	8	211034651
			30	72	20	8	M12	212036251	72	20	10	211034851
			35	72	20	10	M12	212036351	72	20	13	211034951
			1"	72	20	1/4"	3/8" -16 UNC	212038551	72	20	3/8"	211039051
			1-1/4"	72	20	5/16"	3/8" -16 UNC	212038651	72	20	3/8"	211039151
			1-3/8"	72	20	5/16"	3/8" -16 UNC	212038751	72	20	3/8"	211039251
4	84 3-5/16"	27	25	70	20	8	M12	212046151	70	20	8	211044651
			30	70	20	8	M12	212046251	70	20	10	211044851
			35	70	20	10	M12	212046351	70	20	13	211044951
			1"	2-3/4"	13/16"	1/4"	3/8" -16UNC	212046762	2-3/4"	13/16"	3/8"	211049051
			1-1/4"	2-3/4"	13/16"	5/16"	3/8" -16UNC	212046851	2-3/4"	13/16"	3/8"	211049151
			1-3/8"	2-3/4"	13/16"	5/16"	3/8" -16UNC	212048751	2-3/4"	13/16"	3/8"	211049251
5	91 3-9/16"	30,2	30	78	20	8	M12	212056251	78	20	10	211054851
			35	78	20	10	M12	212056351	78	20	13	211054951
			40	78	20	12	M12	212056451	78	20	13	211055051
			1-1/4"	3-1/16"	13/16"	5/16"	3/8" -16 UINC	212058651	3-1/16"	13/16"	3/8"	211059151
			1-3/8"	3-1/16"	13/16"	5/16"	3/8" -16 UINC	212058751	3-1/16"	13/16"	3/8"	211059251
6	103 4-1/16"	30,2	30	85	20	8	M12	212066251	85	20	10	211064851
			35	85	20	10	M12	212066351	85	20	13	211064951
			40	96	20	12	M12	212066451	96	20	13	211065051
			1-1/4"	3-5/16"	13/16"	5/16"	3/8" -16 UINC	212068451	3-5/16"	13/16"	3/8"	211069151
			1-3/8"	3-5/16"	13/16"	5/16"	3/8" -16 UINC	212068751	3-5/16"	13/16"	3/8"	211069251
			1-3/4"	3-3/4"	13/16"	3/8"	3/8" -16 UINC	212068851	3-3/4"	13/16"	3/8"	211069351
7	106 4-3/16"	35	35	94	25	10	M14	212176351	94	25	13	211174951
			40	94	25	12	M14	212176451	94	25	13	211175051
			45	94	25	14	M14	212176551	94	25	13	211175251
8	117 4-5/8"	35	35	95	25	10	M14	212086351	94	25	13	211084951
			40	95	25	12	M14	212086451	95	25	13	211085051
			45	94	25	14	M14	212086551	95	25	13	211085251
9	119 4-3/4"	41	40	106	25	12	M14	212196451	106	25	13	211195051
			45	106	25	14	M14	212196551	106	25	13	211195251
10	130,5 5-1/8"	41	40	113	25	12	M14	212106451	113	25	13	211105051
			45	113	25	14	M14	212106551	113	25	13	211105251

MÂCHOIRES EXTÉRIEURES - OUTER YOKES



SERIE	H	Ø	A	B	D	F	C	
1	63,5 2-1/2"	22	3/4"	58	20	3/16"	3/8" -16 UNC	212018451
			7/8"	58	20	1/4"	3/8" -16 UNC	212016764
			1"	58	20	1/4"	3/8" -16 UNC	212018551
			1-1/8"	58	20	5/16"	3/8" -16 UNC	212016768
			1-1/4"	60	20	1/4"	3/8" -16 UNC	212016782
			1-1/4"	60	20	5/16"	3/8" -16 UNC	212016777
2	70 2-3/4"	23,8	3/4"	62	20	3/16"	3/8" -16 UNC	212028451
			1"	62	20	1/4"	3/8" -16 UNC	212028551
			1-1/8"	62	20	5/16"	3/8" -16 UNC	212026770
			1-1/4"	62	20	1/4"	3/8" -16 UNC	212026776
			1-1/4"	62	20	5/16"	3/8" -16 UNC	212028651
3	79,5 3-1/8"	27	1-3/8"	62	20	5/16"	3/8" -16 UNC	212026764
			1"	72	20	1/4"	3/8" -16 UNC	212038551
			1-1/8"	72	20	5/16"	3/8" -16 UNC	212036762
			1-1/4"	72	20	1/4"	3/8" -16 UNC	212036763
4	84 3-5/16"	27	1-1/4"	72	20	5/16"	3/8" -16 UNC	212036851
			1-3/8"	72	20	5/16"	3/8" -16 UNC	212038751
			1"	69,5	20	1/4"	3/8" -16 UNC	212046762
			1-1/8"	69,5	20	5/16"	3/8" -16 UNC	212046761
			1-1/4"	69,5	20	1/4"	3/8" -16 UNC	212046764
			1-1/4"	69,5	20	5/16"	3/8" -16 UNC	212048651
5	91 3-9/16"	30,2	1-3/8"	69,5	20	5/16"	3/8" -16 UNC	212048751
			1-3/8"	69,5	20	3/8"	3/8" -16 UNC	212046766
			1-1/2"	69,5	20	3/8"	3/8" -16 UNC	212046765
			1-1/4"	78	20	1/4"	3/8" -16 UNC	212056755
			1-1/4"	78	20	5/16"	3/8" -16 UNC	212056651
6	103 4-1/16"	30,2	1-3/8"	78	20	5/16"	3/8" -16 UNC	212058751
			1-1/2"	78	20	3/8"	3/8" -16 UNC	212056752
			1-3/4"	78	20	3/8"	3/8" -16 UNC	212056754
			1-1/4"	85	20	1/4"	3/8" -16 UNC	212066760
			1-1/4"	85	20	5/16"	3/8" -16 UNC	212068651
			1-3/8"	85	20	5/16"	3/8" -16 UNC	212068751
			1-3/8"	96	20	3/8"	3/8" -16 UNC	212066755
7	106 4-3/16"	35	1-1/2"	85	20	3/8"	3/8" -16 UNC	212066766
			1-3/4"	96	20	3/8"	3/8" -16 UNC	212068851
			2"	80	25	1/2"	3/8" -16 UNC	212066772
			1-3/8"	94	25	5/16"	3/8" -16 UNC	212178751
8	117 4-5/8"	35	1-1/2"	94	25	3/8"	3/8" -16 UNC	212176753
			1-3/4"	94	25	3/8"	3/8" -16 UNC	212176754
			1-3/8"	99	25	5/16"	3/8" -16 UNC	212086759
			1-3/8"	95	25	3/8"	3/8" -16 UNC	212086755
			1-1/2"	95	25	3/8"	3/8" -16 UNC	212086756
			1-3/4"	95	25	3/8"	3/8" -16 UNC	212086753
9	119 4-3/4"	41	1-7/8"	95	25	3/8"	3/8" -16 UNC	212086261
			2"	95	25	1/2"	3/8" -16 UNC	212086758
			1-1/4"	103	20	5/16"	3/8" -16 UNC	212196752
			1-3/8"	103	20	5/16"	3/8" -16 UNC	212198751
10	130,5 5-1/8"	41	1-3/4"	106	30	5/16"	3/8" -16 UNC	212108751
			1-1/2"	106	30	3/8"	3/8" -16 UNC	212106753
			1-3/4"	106	30	3/8"	3/8" -16 UNC	212108851
			2"	106	30	1/2"	3/8" -16 UNC	212106754

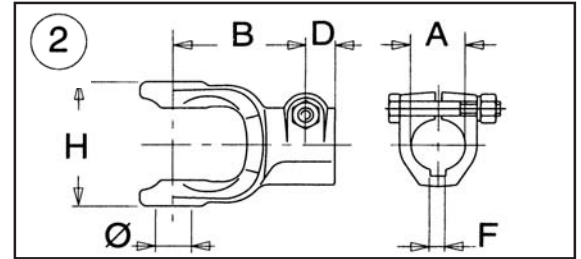
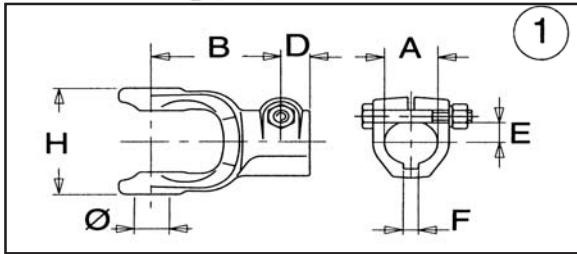
MÂCHOIRES EXTÉRIEURES - OUTER YOKES



SERIE	H	Ø	A	B	D	F	C	I	H12
1	63,5 2-1/2"	22	3/4"	58	20	3/16"	3/8" -16 UNC	1/4"	211018451
			7/8"	58	20	3/16"	3/8" -16 UNC	1/4"	211016764
			1"	58	20	1/4"	3/8" -16 UNC	1/4"	211018558
			1-1/8"	58	20	1/4"	3/8" -16 UNC	1/4"	211016765
			1-1/4"	60	20	1/4"	3/8" -16 UNC	5/16"	211016760
2	70 2-3/4"	23,8	1-1/4"	60	20	5/16"	3/8" -16 UNC	5/16"	211018652
			3/4"	62	20	3/16"	3/8" -16 UNC	1/4"	211028451
			7/8"	62	20	3/16"	3/8" -16 UNC	1/4"	211026770
			1"	62	20	1/4"	3/8" -16 UNC	1/4"	211026761
			1-1/8"	62	20	1/4"	3/8" -16 UNC	1/4"	211026771
3	79,5 3-1/8"	27	1-1/4"	62	20	1/4"	3/8" -16 UNC	5/16"	211026763
			1-1/4"	62	20	5/16"	3/8" -16 UNC	5/16"	211026762
			1-3/8"	62	20	5/16"	3/8" -16 UNC	5/16"	211028751
			1"	72	20	1/4"	3/8" -16 UNC	1/4"	211038564
			1-1/8"	72	20	1/4"	3/8" -16 UNC	1/4"	211036768
4	84 3-5/16"	27	1-1/4"	72	20	1/4"	3/8" -16 UNC	5/16"	211036764
			1-1/4"	72	20	5/16"	3/8" -16 UNC	5/16"	211038651
			1-3/8"	72	20	5/16"	3/8" -16 UNC	5/16"	211038765
			1"	69,5	20	1/4"	3/8" -16 UNC	1/4"	211048552
			1-1/8"	69,5	20	1/4"	3/8" -16 UNC	1/4"	211046773
5	91 3-9/16"	30,2	1-1/4"	69,5	20	1/4"	3/8" -16 UNC	5/16"	211048669
			1-1/4"	69,5	20	1/4"	3/8" -16 UNC	5/16"	211046761
			1-3/8"	69,5	20	5/16"	3/8" -16 UNC	5/16"	211048751
			1-3/8"	69,5	20	3/8"	3/8" -16 UNC	5/16"	211046769
			1-1/2"	69,5	20	3/8"	3/8" -16 UNC	5/16"	211046768
6	103 4-1/16"	30,2	1-1/4"	78	20	1/4"	3/8" -16 UNC	5/16"	211056757
			1-1/4"	78	20	5/16"	3/8" -16 UNC	5/16"	211058651
			1-3/8"	78	20	5/16"	3/8" -16 UNC	5/16"	211058751
			1-3/8"	78	20	3/8"	3/8" -16 UNC	5/16"	211056759
			1-1/2"	78	20	3/8"	3/8" -16 UNC	5/16"	211056756
7	106 4-3/16"	35	1-3/4"	78	20	3/8"	3/8" -16 UNC	5/16"	211058852
			1-1/4"	85	20	1/4"	3/8" -16 UNC	5/16"	211066760
			1-1/4"	85	20	5/16"	3/8" -16 UNC	5/16"	211068651
			1-3/8"	85	20	5/16"	3/8" -16 UNC	5/16"	211068751
			1-3/8"	85	20	3/8"	3/8" -16 UNC	5/16"	211068771
8	117 4-5/8"	35	1-1/2"	85	20	3/8"	3/8" -16 UNC	5/16"	211066767
			1-3/4"	85	20	3/8"	3/8" -16 UNC	5/16"	211068851
			1-15/16"	85	20	1/2"	3/8" -16 UNC	5/16"	211066768
			2"	85	20	1/2"	3/8" -16 UNC	3/8"	211066772
			1-3/8"	94	25	5/16"	3/8" -16 UNC	5/16"	211178751
9	119 4-3/4"	41	1-3/8"	94	25	3/8"	3/8" -16 UNC	5/16"	211176755
			1-1/2"	94	25	3/8"	3/8" -16 UNC	5/16"	211176752
			1-3/4"	94	25	3/8"	3/8" -16 UNC	5/16"	211178851
			1-3/8"	95	25	5/16"	3/8" -16 UNC	5/16"	211088751
			1-3/8"	95	25	3/8"	3/8" -16 UNC	5/16"	211086768
10	130,5 5-1/8"	41	1-1/2"	95	25	5/16"	3/8" -16 UNC	3/8"	211086761
			1-3/4"	95	25	3/8"	3/8" -16 UNC	3/8"	211088860
			1-3/4"	95	25	3/8"	3/8" -16 UNC	3/8"	211088860
			1-15/16"	95	25	1/2"	3/8" -16 UNC	5/16"	211086763
			2"	95	25	1/2"	3/8" -16 UNC	3/8"	211086759
10	130,5 5-1/8"	41	1-1/2"	98	25	3/8"	3/8" -16 UNC	3/8"	211196752
			1-3/4"	98	25	3/8"	3/8" -16 UNC	3/8"	211198851
			1-15/16"	98	25	1/2"	3/8" -16 UNC	5/16"	211196753
			2"	98	25	1/2"	3/8" -16 UNC	3/8"	211196754
10	130,5 5-1/8"	41	1-1/2"	106	30	3/8"	3/8" -16 UNC	3/8"	211106751
			1-3/4"	106	30	3/8"	3/8" -16 UNC	3/8"	211108851
			1-15/16"	106	30	1/2"	3/8" -16 UNC	5/16"	211106752
			2"	106	30	1/2"	3/8" -16 UNC	3/8"	211106753

**BONDOLI
& PAVESI**


MÂCHOIRES EXTÉRIEURES - OUTER YOKES

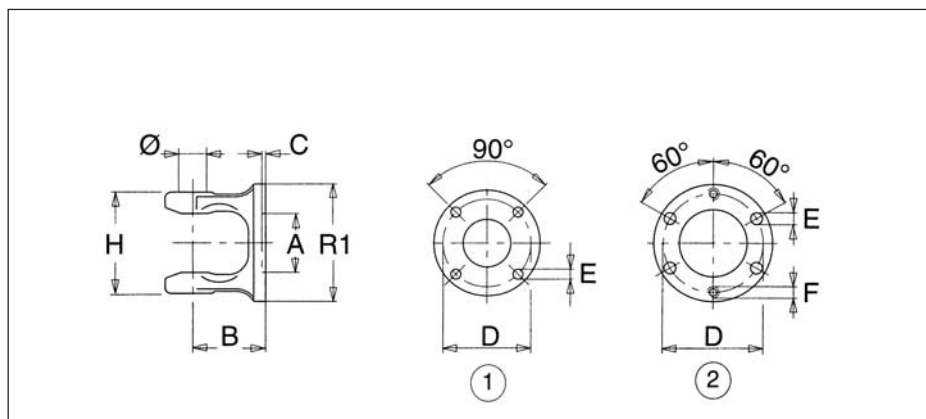


Recommended tightening torques: - 91 Nm (67 ft lbs) for M12 bolts
 - 144 Nm (106 ft lbs) for M14 bolts

Couple de serrage préconisé: - 91 Nm (67 ft lbs) pour boulons M12
 - 144 Nm (106 ft lbs) pour boulons M14

	H	Ø	A	B	D	E	F				
								1		2	
1	63,5 2-1/2"	22	20	55	20	8.5	6	509016753	408000015	509016751	303001200
			25	76	14	11	8	509016152	408000015	509016151	408000015
	30		76	14	13	8	509016252	408000003	509016251	408000015	
	3/4"		2-3/16"	13/16"	9/32"	3/16"	509018451	408000015	-	-	
	1"		3"	9/16"	7/16"	1/4"	509018551	408000015	509018552	-	
2	70 2-3/4"	23,8	20	70	14	8.5	6	509026753	408000015	509026751	408000023
			25	80	19	11	8	509026152	408000015	509026151	408000015
	30		80	19	13	8	509026252	408000003	509026251	408000015	
	3/4"		2-3/4"	9/16"	9/32"	3/16"	509028451	408000015	-	-	
	1"		3-1/8"	3/4"	7/16"	1/4"	509028551	408000015	-	-	
	1-1/4"	3-1/8"	3/4"	9/16"	5/16"	509025651	408000003	-	-		
3	79,5 3-1/8"	27	25	83	19	11	8	509036152	408000001	509036151	408000001
			30	83	19	13	8	509036252	408000009	509036251	408000001
	35		83	19	15.5	10	509036352	408000009	509036351	408000001	
	1"		83	19	7/16"	1/4"	509038551	408000001	-	-	
	1-1/4"		83	19	9/16"	5/16"	509038651	408000009	-	-	
	1-3/8"	83	19	5/8"	5/16"	509038751	408000009	-	-		
4	84 3-5/16"	27	25	88	19	11	8	509046152	408000001	509046151	408000001
			30	88	19	13	8	509046252	408000009	509046251	408000001
	35		88	19	15.5	10	509046352	408000009	509046351	408000001	
	1"		3-7/16"	3/4"	7/16"	1/4"	509048551	408000002	-	-	
	1-1/4"		3-7/16"	3/4"	9/16"	5/16"	509048651	408000009	509048652	-	
	1-3/8"	3-7/16"	3/4"	5/8"	5/16"	509048751	408000009	-	-		
5	91 3-9/16"	30,2	30	90	19	13	8	509056252	408000009	509056251	408000001
			35	90	19	15.5	10	509056352	408000009	509056351	408000001
	40		90	24	18	12	509056452	408000002	509056451	408000002	
	1-1/4"		3-9/16"	3/4"	9/16"	5/16"	509058651	408000009	-	-	
	1-3/8"		3-9/16"	3/4"	5/8"	5/16"	509058751	408000009	-	-	
6	103 4-1/16"	30,2	30	97	19	13	8	509066252	408000009	509066251	408000009
			35	97	19	15,5	10	509066352	408000009	509066351	408000005
	40		97	24	18	12	509066452	408000002	509066451	408000002	
	1-1/4"		3-13/16"	3/4"	9/16"	5/16"	509068651	408000009	-	-	
	1-3/8"		3-13/16"	3/4"	5/8"	5/16"	509068751	408000009	-	-	
	1-1/2"		3-13/16"	3/4"	-	3/8"	509066760	408000002	-	-	
	1-3/4"	3-13/16"	3/4"	13/16"	3/8"	509068851	408000002	509068852	-		
7	106 4-3/16"	35	35	98	21	15,5	10	509176352	408000002	509176351	408000005
			40	98	24	18	12	509176451	408000018	509176452	408000018
			45	98	24	20,5	14	509176551	408000018	509176552	408000018
8	117 4-5/8"	35	35	105	19	15,5	10	509086352	408000009	509086353	408000009
			40	105	24	18	12	509086452	408000002	509086451	408000002
			45	105	24	20,5	14	509086552	408000002	509086551	408000002
9	119 4-3/4"	41	40	107	24	18	12	509196451	408000007	-	-
			45	107	24	20,5	14	509196551	408000037	509196552	408000035
10	130,5 5-1/8"	41	40	113	25	18	12	509106451	408000007	509106452	408000007
			45	113	25	20,5	14	509106551	408000007	509106552	408000007

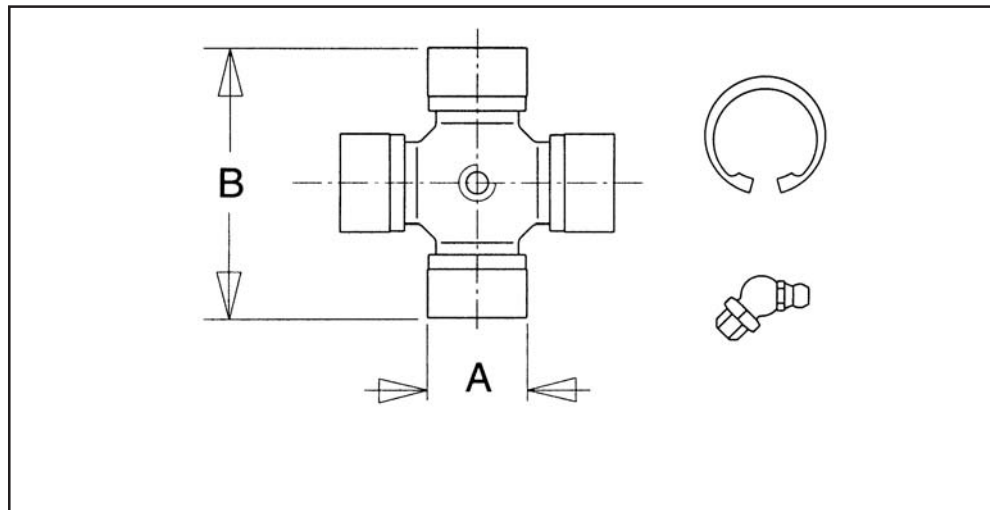
MÂCHOIRES EXTÉRIEURES - OUTER YOKES



SERIE	H	Ø	R1	A	B	C	D	E	F	90° ①	60° ②
1	63,5 2-1/2"	22	90	47	49	2,5	74,5	8,5	M8	221017153	221017251
	70 2-3/4"									23,8	90
3	79,5 3-1/8"	27	100	57	59	2,5	84	10,5	M10	221037153	221037251
	90		47	2,5		74,5	8,5	-	221037152	-	
4	84 3-5/16"	27	100	57	64	2,5	84	10,5	M10	221047153	221047251
	90		47	2,5		74,5	8,5	-	221047152	-	
5	91 3-9/16"	30,2	110	57	68	2,5	94	10,5	M10	221057153	221057251
	100		57	2,5		84	10,5	-	221057152	-	
6	103 4-1/16"	30,2	130	75	77	2,5	101,5	12,5	M12	221067153	221067251
	110		57	2,5		94	10,5	-	221067152	-	
7	106 4-3/16"	35	148	85	79	3	120	15	M14	221177151	221177252
8	117 4-5/8"	35	148	85	79	3	120	15	M14	221087153	221087251
9	119 4-3/4"	41	178	100	91	3	150	17	M16	221197151	221197251
10	130,5 5-1/8"	41	178	100	93	3	150	17	M16	221107151	221107251

Voir page 57 pour produit alternatif
See page 57 for alternative product

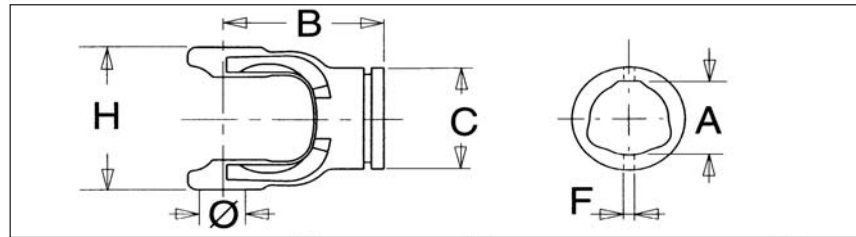
CROISILLONS - CROSS KITS



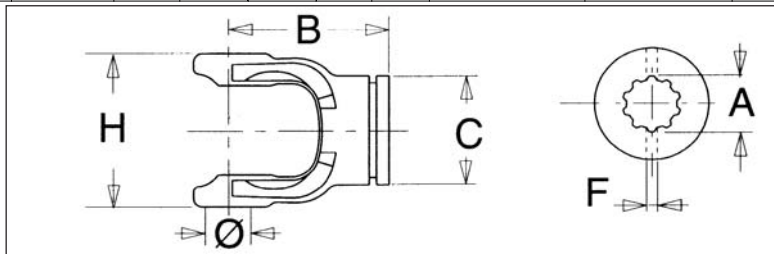
SERIE	A	B			
1	22	54	41201	338003000	348004000
2	23,8	61,3	41202	338009000	348004000
3	27	70	41203	338017000	348004000
4	27	74,6	41204	338017000	348004000
5	30,2	79,4	41205	338020000	348004000
6	30,2	91,4	41206	338020000	348004000
7	35	93,5	41207	338023001	348004000
8	35	106	41208	338023001	348004000
9	41	108	41209	338027000	348004000
10	41	118	41210	338027000	348004000

Voir page 57 pour produit alternatif
See page 57 for alternative product

MÂCHOIRES INTÉRIEURES - INNER YOKES



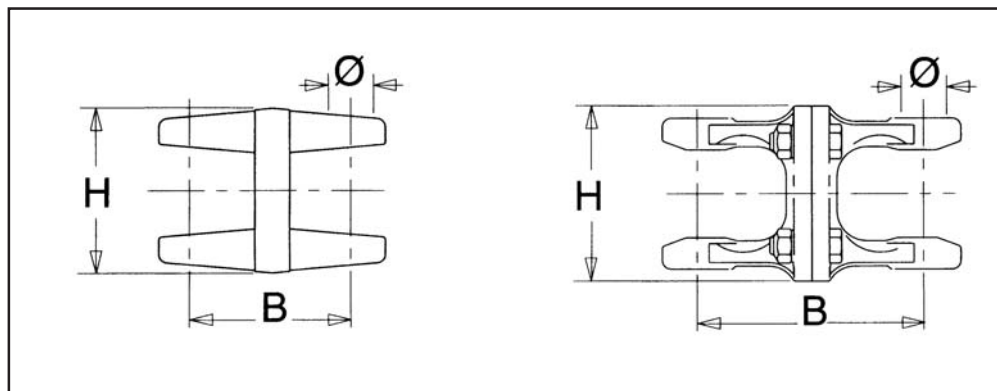
SERIE	H	Ø	B	Pour Tube Ext (Outer)					Pour Tube Int (Inner)				
				A	C	F			A	C	F		
1	63,5	22	78	32,5	47	8			26,5	41	8		
	2-1/2"												
2	70	23,8	82	36	54	8			29	47	8		
	2-3/4"												
3	79,5	27	85	43,5	61	8			36	54	8		
	3-1/8"												
4	84	27	89,5	43,5	61	8			36	54	8		
	3-5/16"												
5	91	30,2	98	51,6	70	10			45	61	10		
	3-9/16"												
6	103	30,2	105	54	76	10			45	67	10		
	4-1/16"												
7	106	35	107	54	76	10			45	67	10		
	4-3/16"												
8	117	35	120	63	88	12			54	76	12		
	4-5/8"												
9	119	41	123	63	88	12			54	76	12		
	4-3/4"												
10	130,5	41	136	66	88	12			54	76	12		
	5-1/8"												



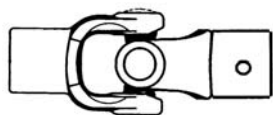
SERIE	H	Ø	B	A	C	F		
1	63,5	22	78	25	41	8		
	2-1/2"			Z = 10				
2	70	23,8	82	25	47	8		
	2-3/4"			Z = 10				
3	79,5	27	85	30	54	8		
	3-1/8"			Z = 10				
4	84	27	89,5	30	54	8		
	3-5/16"			Z = 10				
5	91	30,2	98	35	61	10		
	3-9/16"			Z = 12				
6	103	30,2	105	35	67	10		
	4-1/16"			Z = 12				
7	106	35	107	40	67	10		
	4-3/16"			Z = 14				
8	117	35	120	40	76	12		
	4-5/8"			Z = 14				
9	119	41	123	45	76	12		
	4-3/4"			Z = 16				
10	130,5	41	136	45	76	12		
	5-1/8"			Z = 16				

Voir page 57 pour produit alternatif
 See page 57 for alternative product

JOINT DOUBLE - DOUBLE JOINT

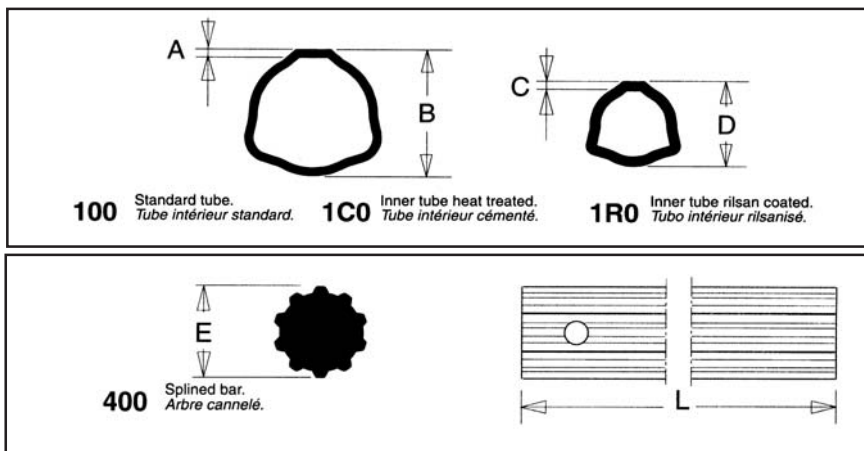


SERIE	H	Ø	B		SERIE	H	Ø	B		
DG1	75	22	68	213010053	GF1	90	22	98	518010051	432000070
	2-15/16"					3-9/16"				
DG2	82	23,8	78	213020053	GF2	90	23,8	108	518020051	432000070
	3-1/4"					3-9/16"				
DG3	90	27	70	213030053	GF3	100	27	118	518030051	432000095
	3-9/16"					3-15/16"				
DG4	96	27	90	213040053	GF4	100	27	128	518040051	432000095
	9-25/32"					3-15/16"				
DG5	103	30,2	106	213050053	GF5	110	30,2	136	518050051	432000095
	4-1/16"					4-5/16"				
DG6	103	30,2	108	212060053	GF6	130	30,2	154	518060051	432000096
	4-1/16"					5-1/8"				
					GF7	148	35	158	518170051	432000097
						5-13/16"				
					GF8	148	35	158	518080051	432000097
						5-13/16"				
					GF9	178	41	182	518190051	432000098
						7"				
					GF10	178	41	186	518100051	432000098
						7"				



Numéro Number	Description
412490001	Croix de remplacement pour 800300049000061 <i>Replacement cross kit for 800300049000061</i>

ÉLÉMENTS TÉLESCOPIQUES SÉRIE 100-1C0-1R0-400 / TELESCOPIC MEMBERS



SERIE	A - B	100			1R0			E			
		100	C - D	1C0*	1R0	C - D	1R0*				
1	2,6 - 32,5	125031500	3,5 - 26,5	125021500	24401....	2,9 - 36	125181500	4,3 - 29,6	24504....	$\frac{25}{Z = 10}$	24915....
2	3,2 - 36	125051500	4 - 29	125041500	24404....	2,9 - 36	125181500	4,3 - 29,6	24504....	$\frac{25}{Z = 10}$	24915....
3	3,4 - 43,5	125081500	3,2 - 36	125051500	24405....	3,1 - 43,5	125161500	3,5 - 36,6	24505....	$\frac{30}{Z = 10}$	24917....
4	3,4 - 43,5	125081500	4,5 - 36	125071500	24410....	3,1 - 43,5	125161500	4,8 - 36,6	24510....	$\frac{30}{Z = 10}$	24917....
5	3 - 51,6	125101500	3,8 - 45	125971500	24411....	2,7 - 51,6	125201500	4,3 - 45,6	24516....	$\frac{35}{Z = 12}$	24911....
6	4 - 54	125121500	4,2 - 45	125091500	24416....	3,7 - 54	125171500	4,3 - 45,6	24516....	$\frac{35}{Z = 12}$	24911....
7	4 - 54	125121500	5,5 - 45	125111500	24418....	3,7 - 54	125171500	5,8 - 45,6	24518....	$\frac{40}{Z = 14}$	24921....
8	4 - 63	125221500	4 - 54	125121500	24469....	3,7 - 63	125211500	4,3 - 54,6	24569....	$\frac{40}{Z = 14}$	24921....
9	4 - 63	125221500	5 - 54	125131500	24474....	3,7 - 63	125211500	5,3 - 54,6	24574....	$\frac{45}{Z = 16}$	24923....
10	5,6 - 66	125151500	6 - 54	125141500	24425....	5,3 - 66	125191500	6,3 - 54,6	24525....	$\frac{45}{Z = 16}$	24923....

NOTE: Les tubes extérieurs sont disponibles en barre de 1,5m.

* D'ordinaire les tubes rilsanisés et cimentés sont fournis sur mesure avec trou de goupille.

Pour commander, compléter le code du tube intérieur avec sa longueur en mm.

Par exemple: un tube intérieur en Rilsan de taille 4, de longueur L= 560, a pour référence 245100560.

NOTE: Tubes are available in 1,5 meter lengths; above codes show that length.

* Rilsan coated or heat treated tubes are supplied only at the desire length with pinhole.

Add to the code the length "L" in mm.

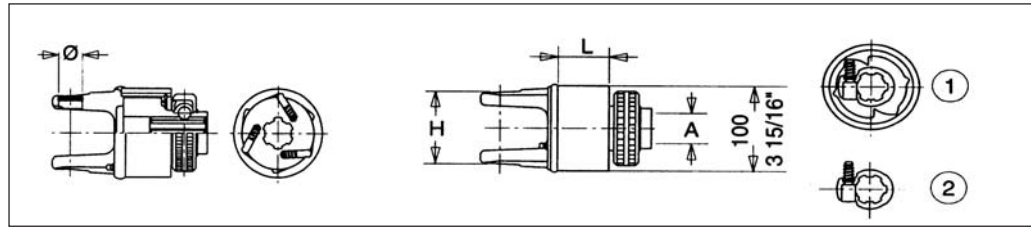
For example, size 4 Rilsan inner tube with L = 250 mm is code 245100560.

** Les arbres cannelés sont fournis aux longueurs demandées avec trou de goupille et traités thermiquement. Pour commander compléter le code avec la longueur en mm.

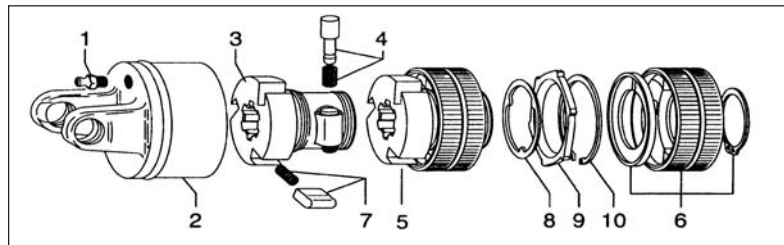
** Splined shafts are available at the desired length with pinhole and heat treatment. Add the length "L" in mm to the splined shaft code.

Voir page 57 pour produit alternatif
See page 57 for alternative product

ROUE LIBRE / OVERRUNNING CLUTCH



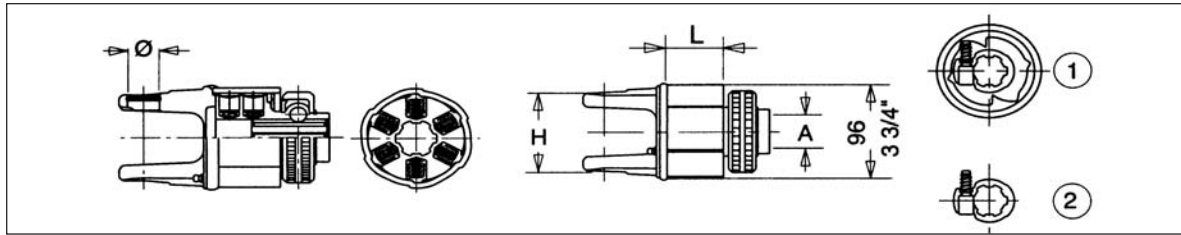
Serie	N.m - in.lb	H	ø	A	RA1 L = 32 1-1/4"		RA2 L = 52 2-1/16"		RA3 L = 72 2-13/16"	
					①	②	①	②	①	②
1	1600 - 14150	65,3 2-1/2"	22	1-3/8 Z6"	601101301	601101001	-	-	-	-
2	1600 - 14150	70 2-3/4"	23,8	1-3/8 Z6"	601102301	601102001	-	-	-	-
3	1600 - 14150	79,5 3-1/8"	27	1-3/8 Z6"	601103301	601103001	-	-	-	-
4	1600 - 14150	84 3-5/16"	27	1-3/8 Z6"	601104301	601104001	-	-	-	-
				1-3/8 Z21"	601104009	-	-	-	-	-
5	1600 - 14150	91 3-9/16"	30,2	1-3/8 Z6"	601105301	601105001	-	-	-	-
	2400 - 21250			-	-	601205001	-	-	-	-
6	1600 - 14150 2400 - 21250	103 4-1/16"	30,2	1-3/8 Z21"	601105011	-	601205005	-	-	-
				1-3/8 Z6"	601106301	601106001	-	-	-	-
				1-3/8 Z6"	-	-	601206001	-	-	-
				1-3/8 Z21"	601106007	-	601206002	-	-	-
7	2400 - 21250	106 4-3/16"	35	1-3/8 Z6"	-	-	601217002	-	-	-
				1-3/8 Z21"	-	-	601217003	-	-	-
8	4000 - 35400	117 4-5/8"	35	1-3/8 Z6"	-	-	601208001	-	601308305	601308005
				1-3/8 Z21"	-	-	601208002	-	601308304	601308004
9	4000 - 35400	119 4-3/4"	41	1-3/8 Z6"	-	-	-	-	601319301	601319001
				1-3/8 Z21"	-	-	-	-	601319304	601319004
10	4000 - 35400	130,5 5-1/8"	41	1-3/8 Z6"	-	-	-	-	601310305	601310005
				-	-	-	-	-	601410002	-
				1-3/8 Z21"	-	-	-	-	601310307	601310007
				-	-	-	-	-	601410007	-



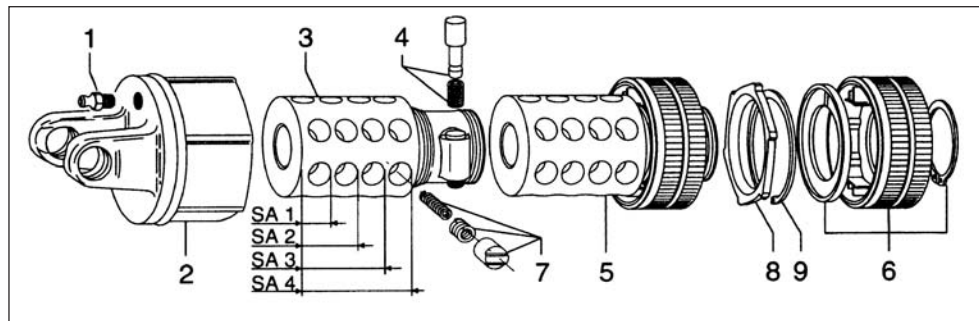
REF	SERIE	RA1		RA2		RA3	
		N°		N°		N°	
1		1	348001000	1	348001000	1	348001000
2	1	1	418011120	-	-	-	-
	2	1	418021120	-	-	-	-
	3	1	418031120	-	-	-	-
	4	1	418041120	-	-	-	-
	5	1	418051120	1	418052120	-	-
	6	1	418061120	1	418062120	-	-
	7	-	-	1	418172120	-	-
	8	-	-	1	418082120	1	418083101
	9	-	-	-	-	1	418193101
	10	-	-	-	-	1	418103101
3		1	513010302	1	513020302	1	513460301
4		1	403000001	1	403000001	1	403000001
5		1	513010306	1	513020306	1	513030306
6		1	240000361	1	240000361	1	240000361
7		3	421011101	3	421022101	3	421463101
8		1	246000005	1	246000005	1	246000005
9		1	246000010	1	246000010	1	246000010
10		1	338005000	1	338005000	1	338005000

Il est interdit de monter le dispositif de sécurité côté tracteur. Toutes les parties en rotation doivent être protégées.

Use safety devices on implement side only. All rotating parts must be guarded.



Serie	N°m - in·lb	H	O	A	SA1		SA2		SA3		SA4	
					L = 32 ①	1-1/4" ②	L = 52 ①	2-1/16" ②	L = 72 ①	2-13/16" ②	L = 92 ①	3-5/8" ②
1	400 - 3550	65,3 2-1/2"	22	1-3/8 Z6"	610124301	610124001	-	-	-	-	-	-
	650 - 5700				-	-	610234301	610234001	-	-	-	-
2	400 - 3550	70 2-3/4"	23.8	1-3/8 Z6"	611124301	611124001	-	-	-	-	-	-
	800 - 7050				-	-	611239301	611239001	-	-	-	-
	900 - 7950				-	-	-	-	611341301	611341001	-	-
3	400 - 3550	79,5 3-1/8"	27	1-3/8 Z6"	612124301	612124001	-	-	-	-	-	-
	800 - 7050				-	-	612239301	612239001	-	-	-	-
	1200 - 10600				-	-	-	-	612348301	612348001	-	-
	1600 - 14150				-	-	-	-	-	-	612456301	612450001
4	800 - 7050	84 3-5/16"	27	1-3/8 Z6"	-	-	613239302	613239002	-	-	-	-
	1200 - 10600				-	-	-	-	613348301	613348001	-	-
	1600 - 14150				-	-	-	-	-	-	613456301	613456001
5	800 - 7050	91 3-9/16"	30.2	1-3/8 Z6"	-	-	614239301	614239001	-	-	-	-
	1200 - 10600				-	-	-	-	614348301	614348001	-	-
	1600 - 14150				-	-	-	-	-	-	614456301	614456001
6	1200 - 10600	103 4-1/16"	30.2	1-3/8 Z6"	-	-	-	-	615348302	615348002	-	-
	1600 - 14150				-	-	-	-	-	-	-	615456301

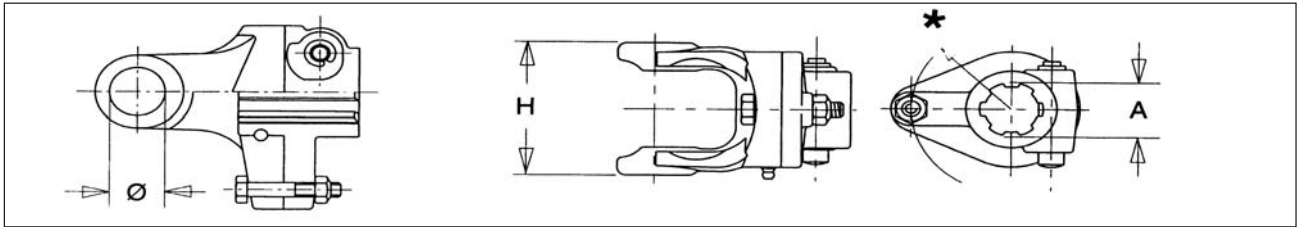


REF	SERIE	SA1		SA2		SA3		SA4	
		N°		N°		N°		N°	
1		1	348001000	1	348001000	1	348001000	1	348001000
2	1	1	422011020	1	422012020	-	-	-	-
	2	1	422021020	1	422022020	1	422023020	-	-
	3	1	422031020	1	422032020	1	422033020	1	422034020
	4	-	-	1	422042020	1	422043020	1	422044020
	5	-	-	1	422052020	1	422053020	1	422054020
	6	-	-	-	-	1	422063020	1	422064020
3		1	513340301	1	513350318	1	513360313	1	513370320
4		1	403000001	1	403000001	1	403000001	1	403000001
5		1	513340306	1	513350306	1	513360306	1	513370306
6		1	240000361	1	240000361	1	240000361	1	240000361
7	mmØ 2,4 + Ø1,4		421340001	-	421340001	-	421340001	-	421340001
	mmØ 2,2 + Ø1,4		421341001	-	-	-	-	-	-
8		1	240000033	1	240000033	1	240000033	1	240000033
9		1	338005000	1	338005000	1	338005000	1	338005000

Il est interdit de monter le dispositif de sécurité côté tracteur

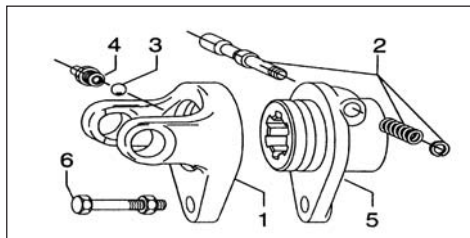
Toutes les parties en rotation doivent être protégées.

Use safety devices on implement side only. All rotating parts must be guarded.



Serie	H	Ø	A	SB1	SB2	SB3	SB4	SB5	SB6	SB7	SB8	SB9	SB10
				Nm - in•lb									
				650	900	1300	1700	2100	2500	3000	3500	4000	4500
				5700	7950	11500	15000	18500	22100	26500	30900	35400	39800
1	65,3 2-1/2"	22	1-3/8" Z6	606101001									
2	70 2-3/4"	23.8	1-3/8" Z6		606202001								
3	79,5 3-1/8"	27	1-3/8" Z6			606303001							
			1-3/8" Z21			606303003							
4	84 3-5/16"	27	1-3/8" Z6				606404001						
			1-3/8" Z21			606404021							
5	91 3-9/16"	30.2	1-3/8" Z6					606505001					
			1-3/8" Z21					606505005					
6	103 4-1/16"	30.2	1-3/8" Z6						606606001				
			1-3/4" Z6						606606002				
			1-3/4" Z20						606606064				
			1-3/8" Z21						606606017				
7	106 4-3/16"	35	1-3/8" Z6							606717004			
			1-3/4" Z6							606717006			
8	117 4-5/8"	35	1-3/8" Z6								606808001		
			1-3/4" Z6								606808002		
			1-3/4" Z20								606808079		
			1-3/8" Z21								606808008		
9	119 4-3/4"	41	1-3/8" Z6									606919001	
			1-3/4" Z6									606919002	
10	130,5 5-1/8"	41	1-3/8" Z6										606010001
			1-3/4" Z6										606010002
			1-3/8" Z21										606010015

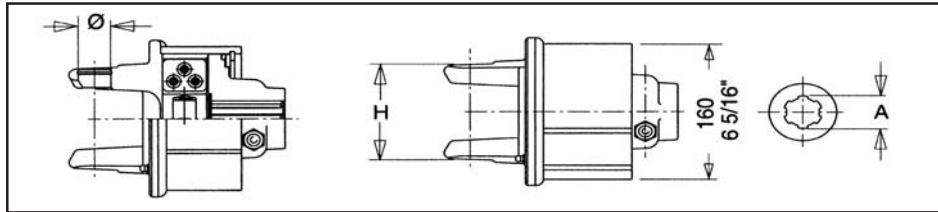
* SB 1-2-3 = 55 - 2 3/16" * SB 4-5 = 66 - 2 5/8" * SB 6-7-8-9-10 = 78 - 3 1/16"



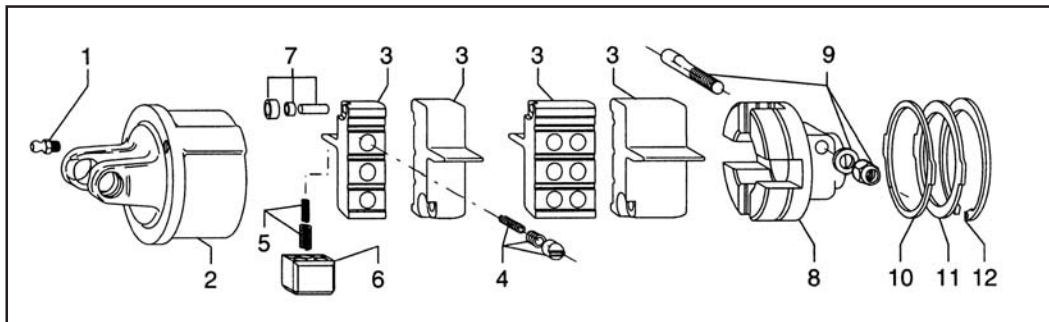
REF	A	N°	SB1	SB2	SB3	SB4	SB5	SB6	SB7	SB8	SB9	SB10
1		1	213010020	213020020	213030020	213040020	213050020	213060020	213017020	213080020	213190020	213100020
2	1-3/8Z6"	1	401000001	401000001	401000001	401000001	401000001	-	-	-	-	-
	1-3/8Z6"	2	-	-	-	-	-	401000001	401000001	401000001	401000001	401000001
	1-3/4Z6"	2	-	-	-	-	-	401000026	401000026	401000026	401000026	401000026
3		23	-	-	-	362002000	362002000	-	-	-	-	-
		24	362004000	362004000	362004000	-	-	362003000	362003000	362003000	362003000	362003000
4		1	348006000	348006000	348006000	348012000	348012000	348012000	348012000	348012000	348012000	348012000
5	1-3/8Z6"	1	513060311	513060312	513060313	513070324	513070325	513080336	513080337	513080338	513080339	513080340
	1-3/4Z6"	1	-	-	-	-	-	513080416	513080417	513080418	513080419	513080420
6	Cl	1	4320000042	4320000042	4320000047	4320000047	4320000053	-	-	-	-	-
	8.8		M6X40	M6X40	M8X45	M8X45	M10X50	-	-	-	-	-
	Cl	1	-	-	-	-	-	4320000053	4320000053	4320000053	4320000053	4320000053
	8.8		-	-	-	-	-	M10X55	M12X65	M12X65	M12X65	M14X75

Il est interdit de monter le dispositif de sécurité côté tracteur. Toutes les parties en rotation doivent être protégées.
 Use safety devices on implement side only. All rotating parts must be guarded.

LIMITEUR DE COUPLE AUTOMATIQUE / AUTOMATIC TORQUE LIMITER



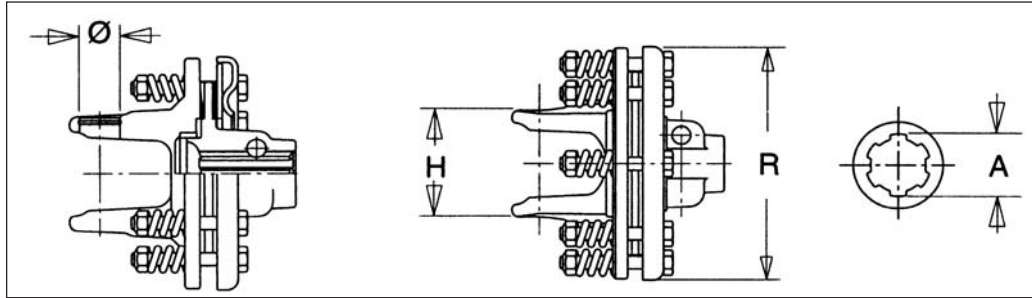
SERIE	N°m-in°lb	H	Ø	A	SC5	SC6	SC7	SC8	SC9	SC10
5	2100 - 18500	91 3-9/16"	30,2	1-3/8" Z6	672561103					
6	2500 - 22100	103 4-1/16"	30,2	1-3/8" Z6		672665103				
				1-3/4" Z6		672665104				
7	3000 - 26500	106 4-3/16"	35	1-3/8" Z6			672770103			
				1-3/4" Z6			672770104			
8	3500 - 30900	117 4-5/8"	35	1-3/8" Z6				672881103		
				1-3/4" Z6				672881104		
9	4000 - 35400	119 4-3/4"	41	1-3/8" Z6					672974104	
10	4000 - 39800	130,5 5-1/8"	41	1-3/4" Z6						672080104



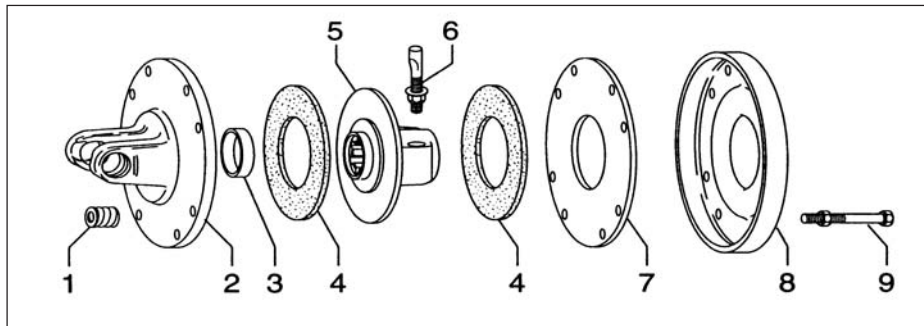
REF	SERIE	SC5 - SC6		SC7 - SC8		SC9 - SC10	
		N°		N°		N°	
1		2	348017000	2	348017000	2	348017000
2	5	1	425050101	-	-	-	-
	6	1	425060101	-	-	-	-
	7	-	-	1	425070101	-	-
	8	-	-	1	425080101	-	-
	9	-	-	-	-	1	425090101
	10	-	-	-	-	1	425100101
3		2	263050101	2	263070101	2	263090101
4			421555001		421555001		421555001
5		Ø 2,5	351007900		351007900		351007900
		Ø 1,5	341008900		351008900		351008900
6		2	299050505	2	299070707	2	299090909
7		2	420055001	2	420055001	2	420055001
8	1-3/8" Z6	1	515550301	1	515570301	-	-
	1-3/4" Z6	1	515550401	1	515570401	1	515590401
9	1-3/8" Z6	1	408000060	1	408000060	1	408000060
	1-3/4" Z6	1	408000061	1	408000061	1	408000061
10		1	246000015	1	246000015	1	246000015
11		1	246000008	1	246000008	1	246000008
12		1	338033000	1	338033000	1	338033000

Il est interdit de monter le dispositif de sécurité côté tracteur .Toutes les parties en rotation doivent être protégées.
 Use safety devices on implement side only. All rotating parts must be guarded.

LIMITEUR DE COUPLE À FRICTION (2-DISQUES) / FRICTION TORQUE LIMITER (2-PLATES)

BONDOLI & PAVESI


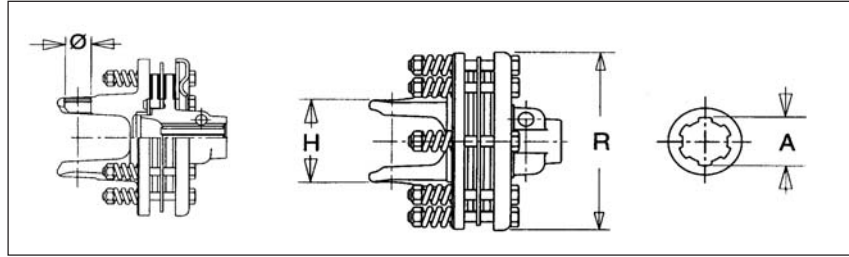
Serie	N ^o m - in ^o lb	H	O	A	R	FF1	R	FF2
3	750 - 6650	79,5 3-1/8"	27	1-3/8" Z6	180 7-1/16"	636137001	200 7-7/8"	-
4	900 - 7950	84 3-5/16"	27	1-3/8" Z6	180 7-1/16"	637141001	200 7-7/8"	-
5	900 - 7950	91 3-9/16"	30.2	1-3/8" Z6	180 7-1/16"	638141001	200 7-7/8"	-
	1200 - 10600			1-3/8" Z6	180 7-1/16"	-	200 7-7/8"	638248004
6	900 - 7950 1200 - 10600 1200 - 10600	103 4-1/16"	30.2	1-3/4" Z20	-	-	-	638246001
				1-3/8" Z6	180 7-1/16"	639141001	200 7-7/8"	-
				1-3/8" Z6	180 7-1/16"	-	200 7-7/8"	639248001
				1-3/4" Z6	180 7-1/16"	-	200 7-7/8"	639248008
7	1200 - 10600	106 4-3/16"	35	1-3/4" Z20	-	-	-	639248032
				1-3/8" Z6	180 7-1/16"	-	200 7-7/8"	656248005
8	1200 - 10600	117 4-5/8"	35	1-3/4" Z6	180 7-1/16"	-	200 7-7/8"	656248006
				1-3/8" Z6	180 7-1/16"	-	200 7-7/8"	641248002
8	1200 - 10600	117 4-5/8"	35	1-3/4" Z6	180 7-1/16"	-	200 7-7/8"	641248003
				1-3/4" Z20	-	-	200 7-7/8"	641248008



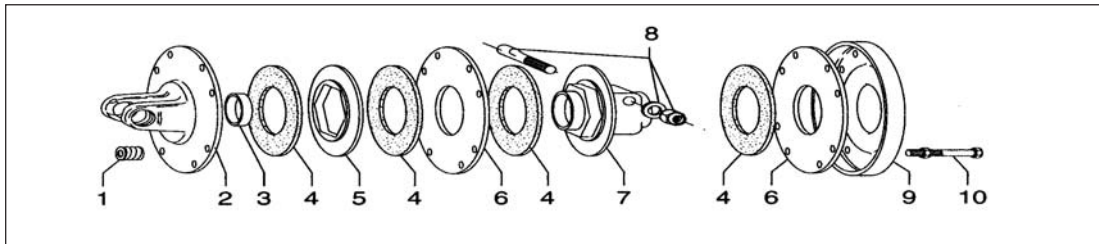
REF	SERIE		N ^o	FF1	N ^o	FF2
1		Ø 5	8	351016370	8	351016370
		Ø 6	8	351022370	8	351022370
		Ø 7	8	351013370	8	351013370
2	3		1	253032001	-	-
	4		1	253042001	-	-
	5		1	253052001	1	253052101
	6		1	253062203	1	253062302
	7		-	-	1	253172302
	8		-	-	1	253082302
3			1	258005320	1	258005320
4		Ø 140	2	247000054	-	-
		Ø 160	-	-	2	247000061
5		1-3/8" Z6	1	515200311	1	515210311
		1-3/4" Z6	1	-	1	515210411
6		1-3/8" Z6	1	408000060	1	408000060
		1-3/4" Z6	1	408000061	1	408000061
7		4 mm	1	248220008	1	248230002
8			-	248220007	1	248230006
9			8	432000006	8	432000006

Il est interdit de monter le dispositif de sécurité côté tracteur. Toutes les parties en rotation doivent être protégées.
 Use safety devices on implement side only. All rotating parts must be guarded.

LIMITEUR DE COUPLE À FRICTION (4-DISQUES) / FRICTION TORQUE LIMITER (4-PLATES)



Serie	N.m - in.lb	H	Ø	A	R	FF3	R	FF4
5	1200 - 10600	91 3-9/16"	30.2	1-3/8" Z6	180 7-1/16"	638348001	200 7-7/8"	-
6	1450 - 12850	103 4-1/16"	30.2	1-3/8" Z6	180 7-1/16"	639353001	200 7-7/8"	639453001
				1-3/4" Z6	180 7-1/16"	639353002	200 7-7/8"	639453002
				1-3/4" Z20		639353008		-
7	1500 - 13300	106 4-3/16"	35	1-3/8" Z6	180 7-1/16"	656354001	200 7-7/8"	-
				1-3/4" Z6	180 7-1/16"	656354002	200 7-7/8"	-
				1-3/8" Z6	180 7-1/16"	-	200 7-7/8"	656457003
8	1500 - 13300	117 4-5/8"	35	1-3/8" Z6	180 7-1/16"	641354003	200 7-7/8"	-
				1-3/8" Z6		642359003		-
				1-3/4" Z6	180 7-1/16"	641354002	200 7-7/8"	-
				1-3/8" Z6	180 7-1/16"	-	200 7-7/8"	641460003
				1-3/4" Z6	180 7-1/16"	-	200 7-7/8"	641460004
9	2000 - 17200	119 4-3/4"	41	1-3/8" Z6	180 7-1/16"	-	200 7-7/8"	657460001
				1-3/4" Z6	180 7-1/16"	-	200 7-7/8"	657460002
				1-3/8" Z6	180 7-1/16"	-	200 7-7/8"	642460003
10	2000 - 17200	130,5 5-1/8"	41	1-3/4" Z6	180 7-1/16"	-	200 7-7/8"	642460002
				1-3/4" Z6	180 7-1/16"	-	200 7-7/8"	642460002

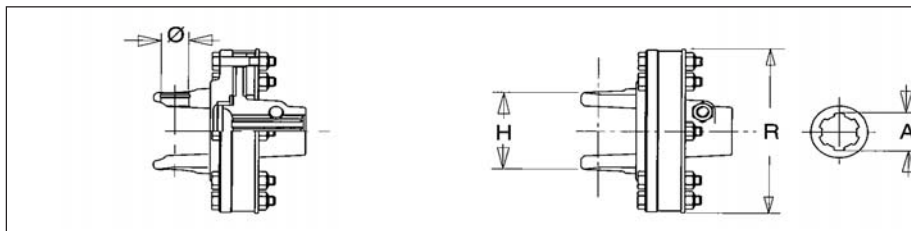


REF	SERIE		N°	FF3	N°	FF4	
1			Ø 5	8	351016370	8	351016370
			Ø 6	8	351022370	8	351022370
			Ø 7	8	351013370	8	351013370
2	5		1	253052001	-	-	
	6		1	253062203	1	253062302	
	7		1	253172201	1	253172302	
	8		1	253082201	1	253082302	
	9		-	-	1	253192301	
	10		-	-	1	253102301	
3			1	258005320	1	258005320	
4		Ø 140	4	247000054	-	-	
		Ø 160	-	-	4	247000061	
5			1	248220001	1	275230004	
6		4 mm	2	248220008	2	248230002	
7		1-3/8" Z6	1	515220311	1	515230311	
		1-3/4" Z6	1	515220411	1	515230411	
8		1-3/8" Z6	1	408000060	1	408000060	
		1-3/4" Z6	1	408000061	1	408000061	
9			1	248220007	1	248230006	
10			8	432000007	8	432000007	

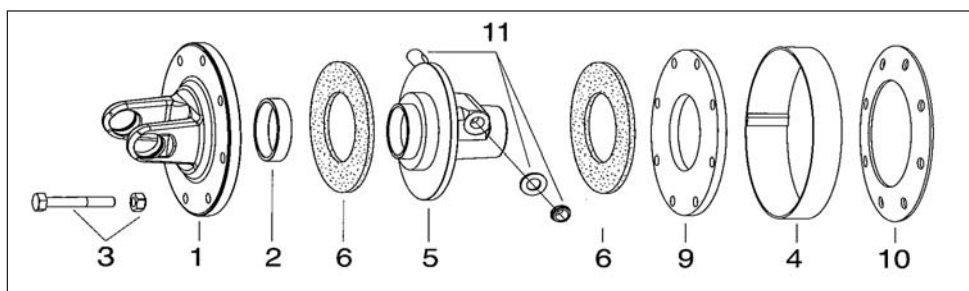
Il est interdit de monter le dispositif de sécurité côté tracteur. Toutes les parties en rotation doivent être protégées.

Use safety devices on implement side only. All rotating parts must be guarded.

LIMITEUR DE COUPLE À FRICTION (2-DISQUES) FRICTION TORQUE LIMITER (2-PLATES)

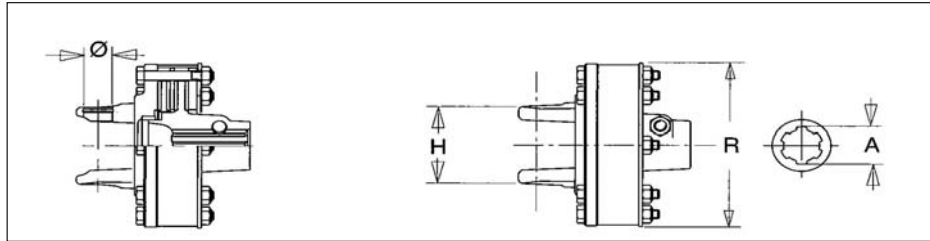


Serie	N.m	in.lb	H	Ø	A	R	FT32	R	FT42
4	1000	8850	84 3-5/16"	27	1-3/8" Z6	180 7-1/8"	6LE344003R	202 7-15/16"	
					1-3/8" Z21		6LE344037R		
5	1100	9700	91 3-9/16"	30,2	1-3/8" Z6		6LG346003R		
					1-3/8" Z21		6LG34603TR		
					1-3/8" Z6				
5	1200	10,600	91 3-9/16"	30,2	1-3/8" Z21		6LG448003R		
					1-3/4" Z20		6LG448037R		
					1-3/8" Z6		6LG448038R		
6	1450	12,800	103 4-1/16"	30,2	1-3/8" Z6		6LH453003R		
					1-3/8" Z21		6LH453037R		
					1-3/4" Z20		6LH453038R		

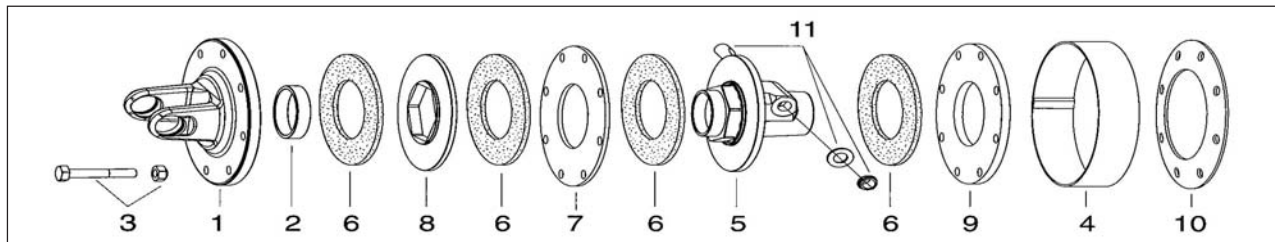


REF	Description	Qty	FT32	Qty	FT42
1	Size 3 flange yoke	1	253038601	-	-
	Size 4 flange yoke	1	253048602	-	-
	Size 5 flange yoke	1	253058901	1	253058701
	Size 6 flange yoke	1	253068903	1	253069001
	Size 7 flange yoke	1	253078601	1	253078702
2	Bushing	1	258005320R02	1	258005320R02
3	Bolt & Lock nut M10x50	8	432000053	8	432000053
4	Setting Ring	1	240000213	1	240000214
5	Hub 1-3/8" z6 Spline	1	515860305	1	515870305
	Hub 1-3/8" z21 Spline	1	515863705	1	515873705
	Hub 1-3/4" z6 Spline			1	515870405
	Hub 1-3/4" z20 Spline			1	515873805
6	Lining 141 OD, 77 ID	2	247006251R08		
	Lining 162 OD, 85 ID			2	247006351R08
9	Pressure plate 8mm	1	248860005	1	248870005
10	Belleville Spring 2.5mm	-	367003860		
	Belleville Spring 2.75mm	-	367002860		
	Belleville Spring 3.0mm	-	367001860		
	Belleville Spring 3.25mm			-	367004870
	Belleville Spring 3.30mm	-	367005860		
	Belleville Spring 3.5mm	-	367001180	-	367003870
	Belleville Spring 3.75mm			-	367001870
11	Taper pin for 1-3/8" z6 or z21	1	408000060	1	408000060
	Taper pin for 1-3/4" z6 or z20		-	1	408000061

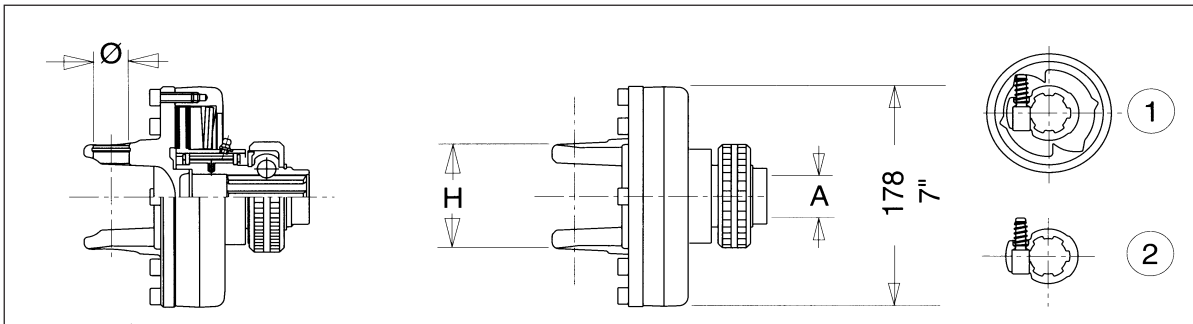
LIMITEUR DE COUPLE À FRICTION (4-DISQUES) - FRICTION TORQUE LIMITER (4-PLATES)



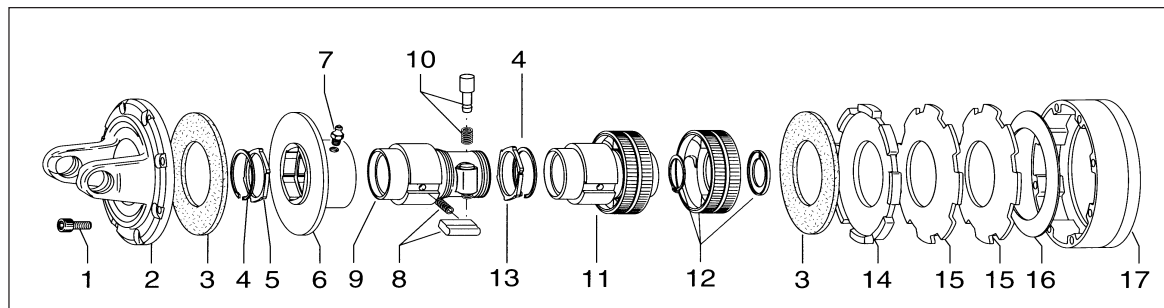
Serie	N.m	in.lb	H	Ø	A	R	FT34	R	FT44
5	1200	10,600	91 3-9/16"	30,2	1-3/8" Z6	180 7-1/8"	6LG748003R	202 7-15/16"	
					1-3/8" Z21		6LG748037R		
6	1450	12,800	103 4-1/16"	30,2	1-3/8" Z6		6LH753003R		
					1-3/8" Z21		6LH753037R		-
					1-3/4" Z20		6LH753038R		-
8	1800	15,900	117 4-5/8"	35,0	1-3/8" Z6		6LM753803R		6LM861003R
					1-3/8" Z21		6LM758037R		6LM861037R
					1-3/4" Z6		6LM758004R		6LM861004R
					1-3/4" Z20	6LM758038R	6LM861038R		



REF	Description	Qty	FT34	Qty	FT44
1	Size 5 Flange yoke	1	253058901	1	253058701
	Size 6 Flange yoke	1	253068903	1	253069001
	Size 7 Flange yoke	1	253078601	1	253078702
	Size 8 Flange yoke	1	253088903	1	253089001
	Size 9 Flange yoke	-		1	253098702
	Size 10 Flange yoke	-		1	253108702
2	Bushing	1	258005320R02	1	258005320R02
3	Bolt & lock nut M10 x 50	8	432000053	8	432000053
4	Setting ring	1	240000218	1	240000219
5	Hub 1-3/8" Z6 Spline	1	515890305	1	515900305
	Hub 1-3/8" Z21 Spline	1	515893705	1	515903705
	Hub 1-3/4" Z6 Spline	1	515890405	1	515900405
	Hub 1-3/4" Z20 Spline	1	515893805	1	515903805
6	Lining 141 OD, 77 ID	4	247006251R08		
	Lining 162 OD, 85 ID			4	247006351R08
7	Driving plate	1	248727701	1	248737701
8	Inner plate 4mm	1	248860001	1	248870011
9	Pressure plate 8 mm	1	248860005	1	248870005
10	Belleville spring 2.5 mm	-	367003860		
	Belleville spring 2.75 mm	-	367002860		
	Belleville spring 3.0 mm	-	367001860		
	Belleville spring 3.25 mm			-	367004870
	Belleville spring 3.3 mm	-	367005860		
	Belleville spring 3.5 mm	-	367001180	-	367003870
	Belleville spring 3.75 mm			-	367001870
	Belleville spring 4.0 mm			-	367001190
11	Taper pin for 1-3/8" Z6 or Z21	1	408000060	1	408000060
	Taper pin for 1-3/4" Z6 or Z20	-	-	1	408000061

LIMITEUR DE COUPLE À FRICTION AVEC ROUE LIBRE - FRICTION TORQUE LIMITER W/OVERRUNNING CLUTCH


Serie	N•m - in•lb	H		Ø	A	FN2	
						①	②
3	800 - 7050	79,5	3-1/8"	27	1-3/8" Z6	6R1339203	687339203
4	1000 - 8800	84	3-5/16"	27	1-3/8" Z6	6R1444203	687444203
5	1100 - 9700	91	3-9/16"	30,2	1-3/8" Z6	6R1546203	687546203

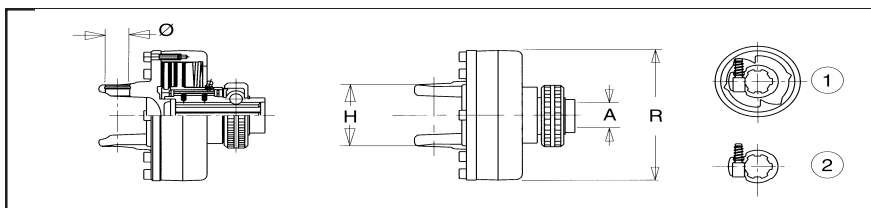


REF	SERIE	N•m - in•lb	+	N°	FN2
1				8	303001400
2	3			1	253038301
	4			1	253048301
	5			1	253058301
3				2	247006251
4				2	338001064
5				1	246000024
6				1	427020101
7				1	348017000
8				3	421922001
9		1-3/8" Z6		1	513920301
10				1	403000001
11		1-3/8" Z6		1	513800301
12				1	240003051
13				1	246000025
14				1	248620001
15	3	800-7050	2,5	1	367005620
			3	1	367003620
	4	1000-8800	3	1	367003620
			3,5	1	367001620
5	1100-9700	3,5	2	367001620	
16				1	246000018
17				1	264620001

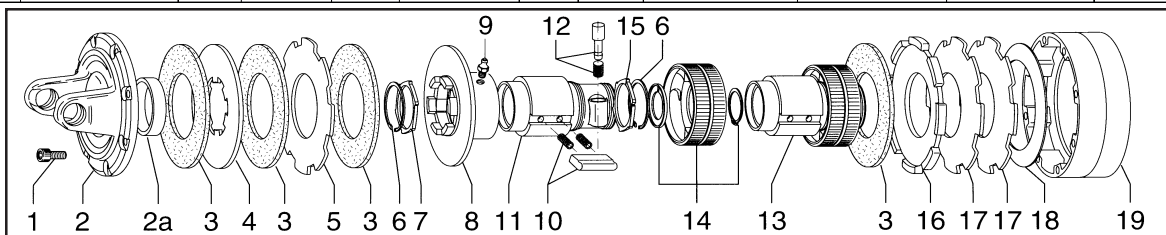
Il est interdit de monter le dispositif de sécurité côté tracteur. Toutes les parties en rotation doivent être protégées.
 Use safety devices on implement side only. All rotating parts must be guarded.

**BONDOLI
& PAVESI**


LIMITEUR DE COUPLE À FRICTION AVEC ROUE LIBRE
FRICITION TORQUE LIMITER W/OVERRUNNING CLUTCH

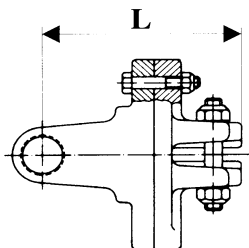


SERIE	N \bullet m - in \bullet lb	H	\emptyset	A	R	FN22		FN33			
						①	②	①	②		
5	1200-10600	91	3-9/16"	30,2	1-3/8" Z6	178	17"	6R1548703	687548703		
6	1450-12850	103	4-1/16"	30,2	1-3/8" Z6	178	17"	6R1653703	687653703		
7	1700-15000	106	4-3/16"	35	1-3/8" Z6	178	17"	6R1757703	687757703		
8	1800-15900	117	4-5/8"	35	1-3/8" Z6	178	17"	6R1858703	687858703		
	2100-18500	117	4-5/8"	35	1-3/8" Z6	202	8"			6R1861803	687861803
9	2400-21200	119	4-3/4"	41	1-3/8" Z6	202	8"			6R1861804	687861804
					1-3/4" Z6	202	8"			6R1964803	687964803
10	2800-24700	130	5-1/8"	41	1-3/8" Z6	202	8"			6R1964804	687964804
					1-3/4" Z6	202	8"			6R1068803	687068803
										6R1068804	687068804

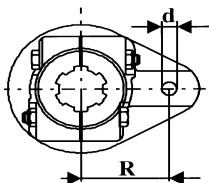


REF	SERIE	N \bullet m - in \bullet lb	N $^{\circ}$	FN22	N $^{\circ}$	FN33	
1			8	303002400	8	303004300	
2	5		1	253058301	-	-	
	6		1	253068301	-	-	
	7		1	253078301	-	-	
	8		1	253088301	1	253088401	
	9		-	-	1	253109401	
	10		-	-	1	253098401	
2a			-	-	1	258005320	
3			4	247006251	4		
4			1	248830001	1	248840001	
5			1	248720001	1	248730001	
6			2	338001064	2	338001072	
7			1	246000024	1	246000028	
8			1	427220101	1	427840101	
9			1	348017000	1	348017000	
10			3	421955001	3	421955001	
11	1-3/8" Z6		1	513950301	1	513840302	
	1-3/4" Z6		-	-	1	513840402	
12	1-3/8"		1	403000001	1	403000001	
	1-3/4"		-	-	1	403000012	
13	1-3/8" Z6		1	513830301	1	513840301	
	1-3/4" Z6		-	-	1	513840401	
14	1-3/8"		1	240003051	1	240003051	
	1-3/4"		-	-	1	240000452	
15			1	246000025	1	246000029	
16			1	248620001	1	248630001	
17	5	1200-10600	2.5	2	367005620	-	-
	6	1450-12850	3	2	367003620	-	-
	7	1700-15000	3	1	367003620	-	-
			3.5	1	367001620	-	-
	8	1800-15900	3.5	2	367001620	-	-
		2100-18500	3.5	-	-	2	367002630
	9	2400-21200	3.5	-	-	1	367002630
4			-	-	1	367001630	
10	2800-24700	4	-	-	2	367001630	
18			1	246000018	1	246000019	
19			1	264720001	1	264730001	

EMBRAYAGE À BOULON DE SÉCURITÉ SHEAR BOLT CLUTCH (Clamp bolts; interfering)

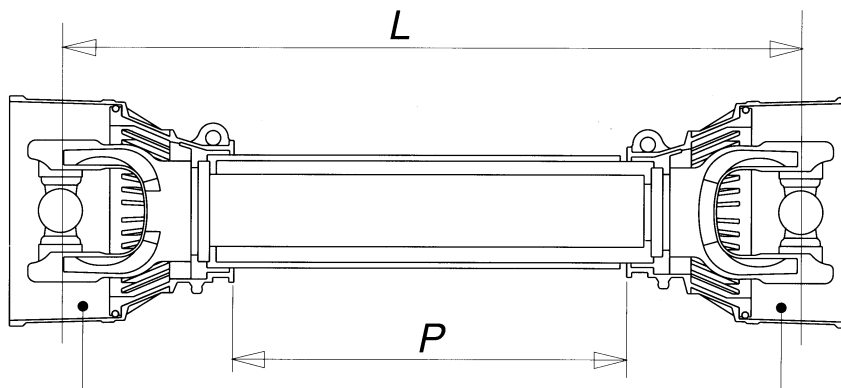


SÉRIE	PROFILE	TORQUE	R x D	L	No. Pièce
5	1-3/8" (6)	2120	64 x M8	136	580.5006408438
6	1-3/8" (6)	2500	48 x M10	138	580.6224810438
8	1-3/8" (6)	4180	56 x M12	150	580.8245612438



Pour pièces voir page 112 - For parts see page 112

PROTECTEURS - SAFETY SHIELDING

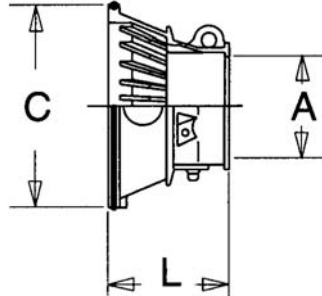


SHIELD CONE TYPE 1
BOL EXTERIEUR TYPE 1

SHIELD CONE TYPE 1
BOL EXTERIEUR TYPE 1

SERIE	L = 1210 = 48"	
	121	P
1	5F01121FF	1028 40 15/32"
2	5F02121FF	1020 40 5/32"
3	5F03121FF	1010 39 3/4"
4	5F04121FF	1000 39 3/8"
5	5F05121FF	983 38 11/16"
6	5F06121FF	969 38 5/32"
7	5F07121FF	965 38"
8	5F08121FF	932 36 11/16"
9	5F09121FF	926 36 7/16"
10	5F010121FF	901 35 15/32"

BOLS STANDARD POUR PROTECTEUR - *BASE CONE FOR SHIELDING*



SERIE	L	C	A		A	
1-2	66	122	61.5	517010011	56	517010012
3-4	74.5	129	67	517040011	61.5	517040012
5-6-7	84	152	81.7	517050011	81.7	517050012
8-9	99.5	166	96.5	517080111	96.5	517080112
10	107.5	190	96.5	517080011	96.5	517080012

TUBES POUR PROTECTEUR - *SHIELD TUBES*



SERIE	A	B	*L560	*L710	*L860	*L1210	A	B	*L560	*L710	*L860	*L1210
1-2	61	2.2	236660394	236660544	236660694	236661044	55.6	2.2	236650394	236650544	236650694	236651044
3-4	66.5	2.2	236680376	236680526	236680676	236681026	61	2.2	236670376	236670526	236670676	236671026
5-6-7	81.2	2.5	236830350	236830500	236830650	236831000	75	2.5	236820350	236820500	236820650	236821000
8-9-10	96	2.5	236850302	236850452	236850602	236850952	89.8	2.5	236840302	236840452	236840602	236840952

* L= Longueur de la transmission entre croisillons.

* L= Length shaft

BOLS EXTÉRIEURS COMPLETS - OUTER CONE

		1		2		3		4	
SÉRIE	A	L		L		L		L	
1-2	61.5	115	517010030	97	517010032	192	517010033	197	517010034
3-4	67	135	517040030	97	517040032	215	517040033	213	517040034
5	81.7	153	517050030	103	517050032	244	517050033	241	517050034
6-7	81.7	153	517050030	103	517050032	244	517050033	241	517050034
8-9	96.5	176	517080130	-	-	283	517080033	276	517080134
10	96.5	186	517080030	-	-	283	517080033	293	517080034

* Voir figure no. 8 - See figure 8

		6		7		8		0	
SÉRIE	A	L		L		L		L	
1-2	61.5	-	-	-	-	136	517010031	89.5	517010031
3-4	67	115	517040036	-	-	150	517040031	105	517040031
5	81.7	105	517050036	127	517050037	179	517050031	105	517050037
6-7	81.7	105	517050036	139	517060037	179	517080131	127	517050037
8-9	96.5	137	517080137	137	517080137	209	517080131	137	517080137
10	96.5	-	517080037	137	517080037	228	517080031	137	517080037

Les bols extérieurs sont composés d'un cône.
 Shield cones consist of base cones for either the inner or outer shield tube.

Les gaines de protection couvrent entièrement ou partiellement le joint mais, au point de vue sécurité, elles ne remplacent pas les bols ou tout autre type de protection rigide à monter sur la machine. Toutes les parties en rotation doivent être protégées. Contacter votre revendeur si le protecteur est abimé ou absent.

The flexible portion of the cone partially or entirely shields the joint, but is not intended to substitute for adequate implement connection guards or tractor master shields. All rotating driveline components must be guarded - contact the tractor and implement dealer or manufacturer if master shields or implement shields are damaged or missing.

BOLS INTÉRIEURS COMPLETS - INNER CONE

		1		2		3		4	
SERIE	A	L		L		L		L	
1-2	56	115	517010020	97	517010022	192	517010023	197	517010024
3-4	61.5	135	517040020	97	517040022	215	517040023	213	517040024
5	75.5	153	517050020	103	517050022	244	517050023	241	517050024
6-7	75.5	153	517050020	103	517050022	244	517050023	241	517050024
8-9	90.3	176	517080120	-	-	283	517080023	276	517080124
10	90.3	186	517080020	-	-	283	517080023	293	517080024

* Voir figure no. 8 - See fig 8

		6		7		8		0	
SERIE	A	L		L		L		L	
1-2	56	-	-	-	-	136	517010021	89.5	517010021
3-4	61.5	115	517040026	-	-	150	517040021	105	517040021
5	75.5	105	517050026	127	517050027	179	517050021	105	517050027
6-7	75.5	105	517050026	139	517060027	179	517050021	127	517050027
8-9	90.3	137	517080127	137	517080127	209	517080121	137	517080127
10	90.3	-	517080027	137	517080027	228	517080021	137	517080027

Les bols extérieurs sont composés d'un cône.

Shield cones consist of base cones for either the inner or outer shield tube.

Les gaines de protection couvrent entièrement ou partiellement le joint mais, au point de vue sécurité, elles ne remplacent pas les bols ou tout autre type de protection rigide à monter sur la machine. Toutes les parties en rotation doivent être protégées. Contacter votre revendeur si le protecteur est abimé ou absent.

The flexible portion of the cone partially or entirely shields the joint, but is not intended to substitute for adequate implement connection guards or tractor master shields. All rotating driveline components must be guareed - contact the tractor and implement dealer or manufacturer if master shields or implement shields are damaged or missing.

ÉLÉMENTS DE COMPOSITION DES PROTECTEURS SHIELD BELL

1				2 - 8				3			
SERIE	A	L		A	L		A	L			
1-2	92	78	219010001	92	99	219010002	92	155	219020001	219020013	
3-4	99	96	219040001	99	111	219040002	99	176	219040003	219040013	
5-6-7	117	109	219050001	117	135	219050002	117	200	219060003	219060013	
8-9	128	129	219080005	128	162	219080010	147	235	219080003	219080013	
10	147	138	219080001	147	180	219080002	-	-	-	-	

4				6				7				0			
SERIE	A	L		A	L		A	L		A	L				
1-2	92	160	219010003	-	-	-	-	-	-	92	53	219010005			
3-4	99	174	219040004	99	76	219040006	-	-	-	99	66	219040014			
5	117	197	219050003	117	61	219050007	117	83	219050008	117	61	219050007			
6-7	117	197	219050003	117	61	219050007	117	95	219060004	117	83	219050008			
8-9	128	230	219080006	128	90	219080008	128	90	219080008	128	90	219080008			
10	147	245	219080004	147	90	219080007	147	90	219080007	147	90	219080007			

Les gaines de protection couvrent entièrement ou partiellement le joint mais, au point de vue sécurité, elles ne remplacent pas les bols ou tout autre type de protection rigide à monter sur la machine. Toutes les parties en rotation doivent être protégées. Contacter votre revendeur si le protecteur est abimé ou absent.

The flexible portion of the cone partially or entirely shields the joint, but is not intended to substitute for adequate implement connection guards or tractor master shields. All rotating driveline components must be guarded - contact the tractor and implement dealer or manufacturer if master shields or implement shields are damaged or missing.

COMPOSANTS POUR PROTECTEUR - SHIELD COMPONENTS

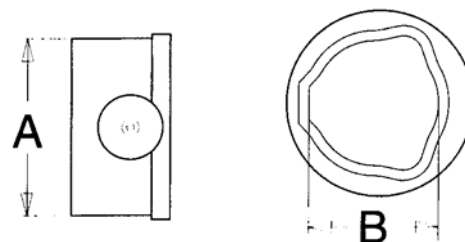
SERIE	A	Outer Extérieure Exterior	A	Inner Intérieure Interior	L	1	2
1	40.4	255010005	34.4	255010006	55	252000001	252000002
2	47.4	255020005	40.4	255020006			
3-4	53.4	255040005	46.4	255040006			
5	62.4	255050005	53.4	255050006			
6-7	68.4	255060005	59.4	255060006			
8-9-10	80.4	255080005	68.4	255080006	70	252000005	-

Composants pour protecteur intégral Components for full shield

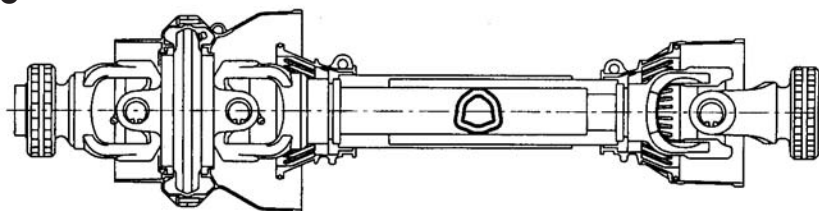
SERIE	A	L		SERIE	A	L	
1-2	81	97	254010008	1-2	43	43	255010009
3-4	82	97	254030008	3-4	46	46	255030009
5-6-7	82	103	254050008	5-6-7	48	52	255050009

Bague de graissage pour série 100 - 1CO - 1RO Greasing collar for 100 - 1CO and 1RO series shaft

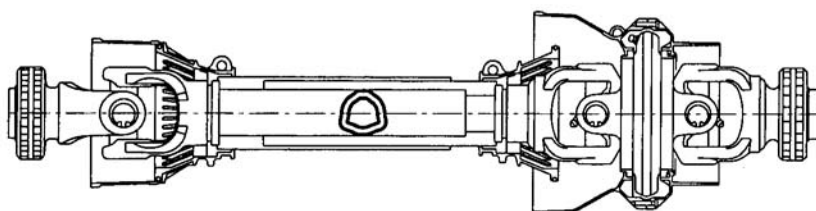
SERIE	A	B	100 - 1CO	B	1RO
1	41	26.7	239006809	-	-
2	45	29.5	239006810	29.9	259006830
3-4	52	36.5	259006801	36.9	259006814
5	61.5	45.2	259006804	45.7	259006824
6-7	64.5	45.2	259006802	45.7	259006803
8-9	74.5	54.4	239006812	54.6	239006815
10	78	54.4	239006811	-	-



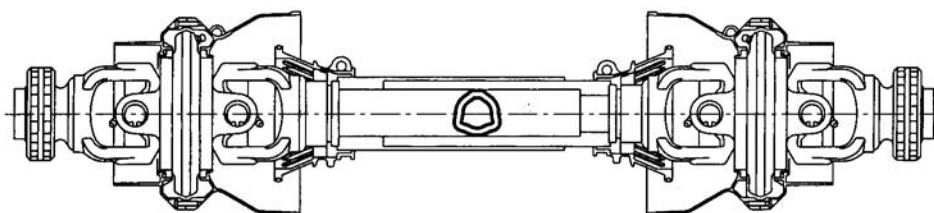
SERIE 650



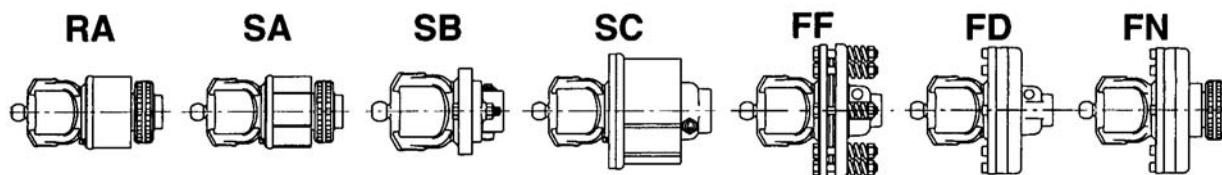
SERIE 660



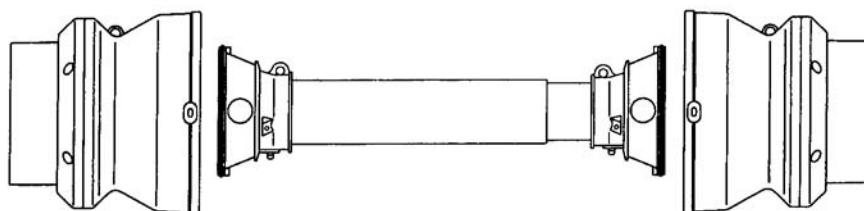
SERIE 670



Dispositifs de sécurité - Torque limiting and overrunning devices



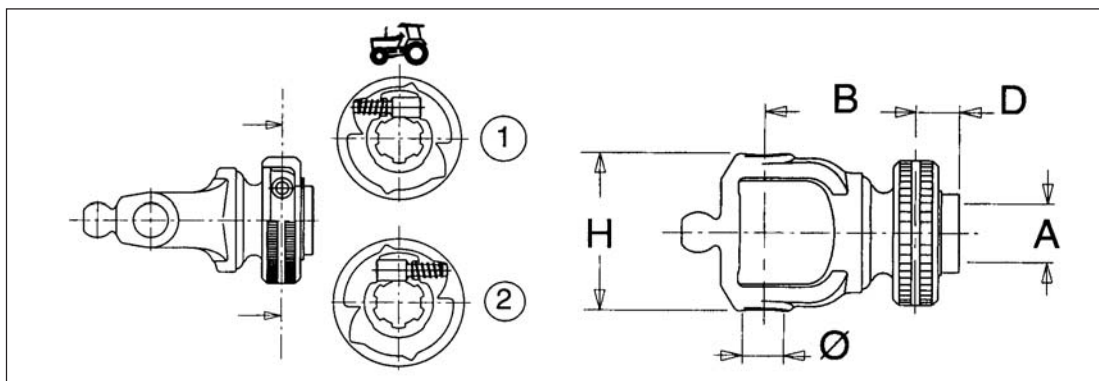
Protecteurs pour prévention des accidents - Safety shielding



CARACTÉRISTIQUES TECHNIQUES TECHNICAL DATA

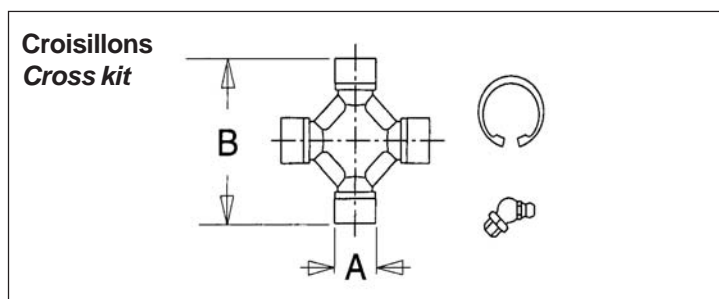
Dimension Size	Puissance Power				Croisillons Cross kit	Mâchoires Yokes	Profils télescopiques Telescoping members	
	540 giri/min rpm		100 giri/min rpm				12518	24504
	kw	CV-HP	kw	CV-HP				
2	15	21	23	31	<p>41202</p>	<p>2 3/4"</p>	<p>12518</p>	<p>24504</p>
4	26	35	40	55	<p>412040012</p>	<p>3 11/16"</p>	<p>12516</p>	<p>24510</p>
6	47	64	74	100	<p>412060012</p>	<p>4 5/16"</p>	<p>12517</p>	<p>24516</p>
8	70	95	110	150	<p>412080012</p>	<p>4 9/16"</p>	<p>12521</p>	<p>24569</p>

MÂCHOIRES EXTÉRIEURES - OUTER YOKES



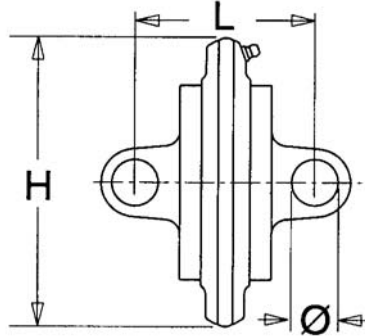
SERIE	H	Ø	B	D	A					
2	69	23.8	76	40	1-3/8" Z6	573020351	240080061	573020361	240000361	403000001
	2-3/4"				573023751			573023761		
4	93	23.8	90	40	1-3/8" Z6	573040375	240080061	573040376	240000361	403000001
	3-11/16"				1-3/8" Z21			573043775		
				34	1-3/4" Z6	573040475	573040476	240000461	403000012	
	1-3/4" Z20				573043875	573043876				
6	109	30.2	99	40	1-3/8" Z6	573060375	240080061	573060376	240000361	403000001
	4-5/16"				1-3/8" Z21			573063775		
				34	1-3/4" Z6	573060475	573060476	240000461	403000012	
	1-3/4" Z20				573063875	573063876				
8	116	35	107	40	1-3/8" Z6	573080375	240080061	573080376	240000361	403000001
	4-9/16"				1-3/8" Z21			573083775		
				34	1-3/4" Z6	573080475	573080476	240000461	403000013	
	1-3/4" Z20				573083875	573083876				

Les mâchoires pour la dimension 8 sont fournies de série avec 2 verrous. - Size 8 yoke supplied with two QD pins.



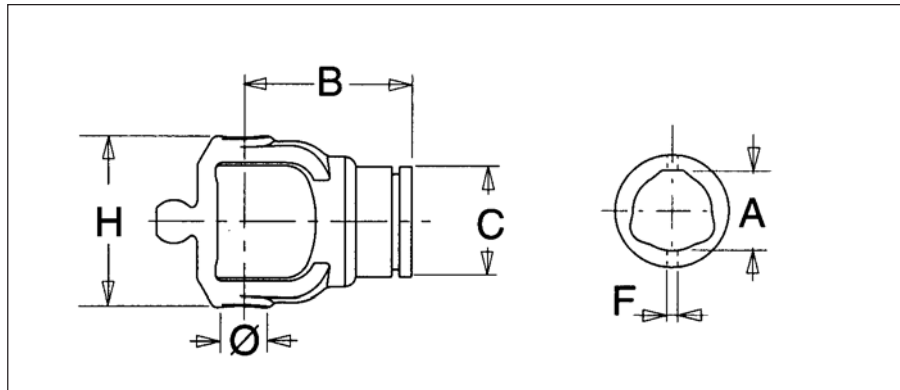
SERIE	A	B			
2	23.8	61.3	41202	338009000	348004000
4	23.8	86	412040012	338009000	348004000
6	30.2	99.4	412060012	338020000	348004000
8	35	106	412080012	338023001	348004000

JOINT GRAND ANGLE - WIDE ANGLE JOINT



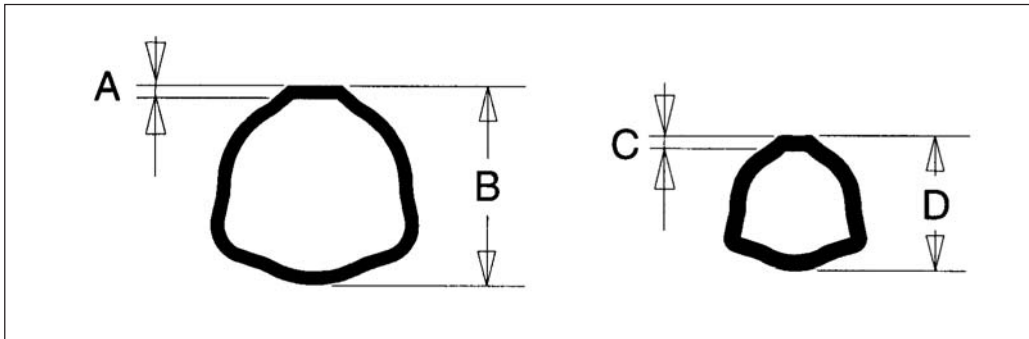
SERIE	H	Ø	L	
2	118	23.8	75	512020051
4	153	23.8	96	511040051
6	173	30.2	108	511060051
8	196	35	122	511080051



Mâchoires intérieures - Inner yokes



SERIE	H	Ø	B	A	C	F Ø	208026863		A	B	F Ø	208026864	
2	69 2-3/4"	23.8	81	36	54	8			29	47	8		
4	93 3-11/16"	23.8	95	43.5	61	8			36	54	8		
6	109 4-5/16"	30.2	110.5	54	76	10			45	67	10		
8	116 4-9/16"	35	125.5	63	88	12			54	76	12		

ÉLÉMENTS TÉLESCOPIQUES - TELESCOPIC MEMBERS

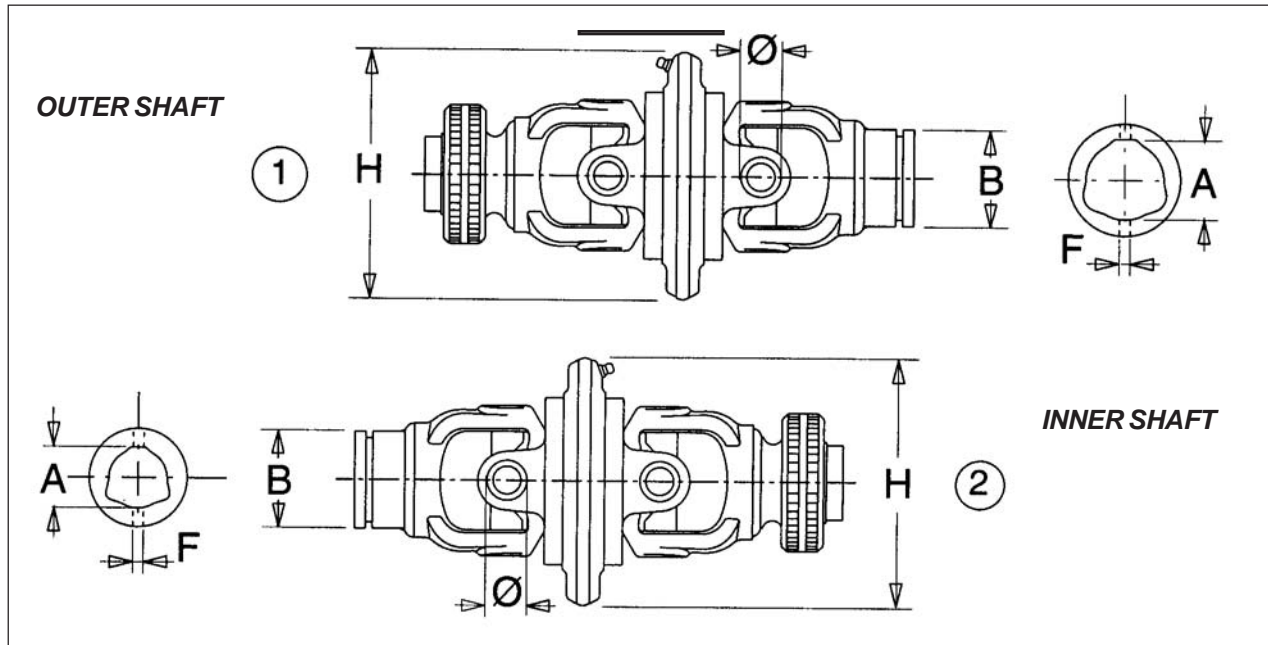


SERIE	A - B	 1RO	C - D	 1RO
2	2.9 - 36	125181500	4.3 - 29.6	24504
4	3.1 - 43.5	125161500	4.8 - 366	24510
6	3.7 - 43.5	125171500	4.3 - 45.6	24516
8	3.7 - 63	125211500	4.3 - 54.6	24569

Note: Les tubes extérieures sont disponibles en barres de 1.5m. D'ordinaire les tubes rilsanisés sont fournis sur mesure avec trou de goupille. Pour commander, compléter le code du tube intérieur avec sa longueur en mm. Par exemple: un tube intérieur en Rilsan de taille 4, de longueur L=910 mm, pour référence 245100910.

Note: Tubes are available in 1.5 meter lengths; above codes show that length. Rilsan coated tubes are supplied only at the desired length with pinhole. Add to the code the length "L" in mm. For example, size 4 Rilsan inner tube with L= 910 mm is code 245100910.

JOINTS - U-JOINTS FOR SHAFTING



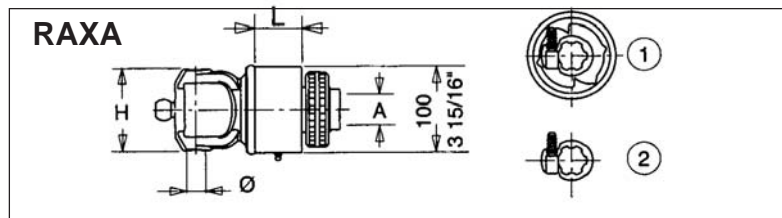
SERIE	H	Ø	A	B	F	1			2		
						A	B	F	A	B	F
2	118	23.8	36	54	8	7G52049T07	29	47	8	7G52050S07	
4	153	23.8	43.5	61	8	7G54049T07	36	54	8	7G54050S07	
6	173	30.2	54	76	10	7G56048T07	45	67	10	7G56050S07	
8	196	35	63	88	12	7G58049T07	54	76	12	7G58050S07	

NOTE: Les codes indiqués se réfèrent à des joints standard qui prévoient sur un côté une mâchoire cannelée 1-3/8Z6 avec verrouillage rapide (T07-S07) et sur l'autre côté la mâchoire pour tube intérieur, extérieur ou cannelé.

Les joints et les joints doubles peuvent être fournis sur demande avec les mâchoires des différents types (mâchoires ou dispositifs de sécurité) prévus dans la production Bondioli & Pavesi. Pour la commande remplacer le code du profil standard (T07-S07) par celui du profil choisi.

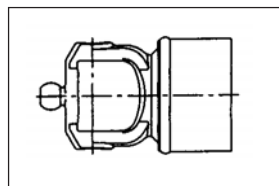
NOTE: Above codes are for standard joints with 1-3/8" 6 splines Q.D.. (T07-S07) on one end and inner, outer or splined shaft yoke on the other end. On request, joints can be supplied with other yokes from the Bondioli & Pavesi line. In that case, replace standard yoke code (T07-S07) with the code of the yoke desired.

ROUE LIBRE - OVERRUNNING CLUTCH



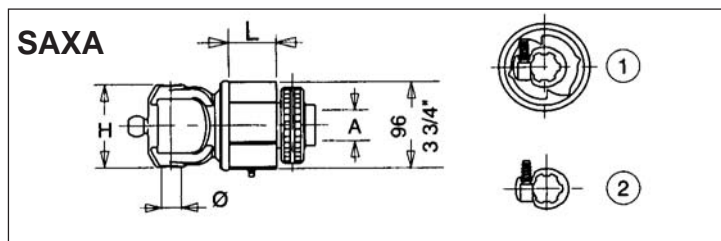
SERIE	N ^o m - in ^o lb	H	Ø	A	RAXA1		RAXA2		RAXA3		
					L = 32 - ①	1-1/4" ②	L = 52 - ①	2-1/16" ②	L = 72 - ①	1-3/16" ②	
2	1600-14150	69	2-23/32"	24	1-3/8" Z6	601102309	601102009				
4	1600-14150	93	3-21/32"	24	1-3/8" Z6	601104322	601105022				
6	1600-14150	109	4-5/16"	30	1-3/8" Z6	601106316	601106016				
	2400-21250				1-3/8" Z6			601206320	601206020		
8	4000-35400	116	4-9/16"	35	1-3/8" Z6					601308308	601308008
					1-3/8" Z21						

* HOUSING WITH YOKE - CARTER AVEC MACHOIRE

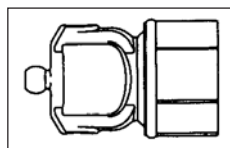


SERIE	RAXA1	RAXA2	RAXA3
2	418021122		
4	418041122		
6	418061122	418062109	
8			418083102

LIMITEUR DE COUPLE À CAMES - RATCHET TORQUE LIMITER



SERIE	N ^o m - in ^o lb	H	Ø	A	SAXA1		SAXA2		SAXA3		SAXA4		
					L = 32 - ①	1-1/4" ②	L = 52 - ①	2-1/16" ②	L = 72 - ①	2-13/16" ②	L = 92 - ①	3-5/8" ②	
2	400-3550	69	2-23/32"	23.8	1-3/8" Z6	611124306	611124006						
	800-7050							611239308	611239008				
	900-7950									611341302	611341007		
4	800-7050	93	3-21/32"	23.8	1-3/8" Z6			613239307	613239007				
	1200-10600								613348308	613348008			
	1600-14150										613456305	613456005	
6	1200-14150	109	4-5/16"	30.2	1-3/8" Z6					615348304	615348004		
	1600-14150										615456306	615456006	

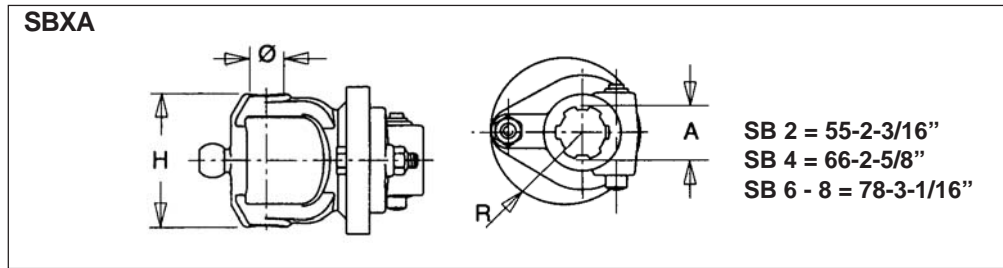


SERIE	SAXA1	SAXA2	SAXA3	SAXA4
2	215027101	422020147	422020106	
4		422040104	422040105	422040106
6			422060103	422060104



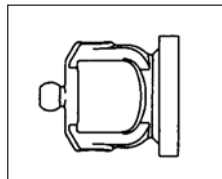
Il est interdit de monter le dispositif de sécurité côté tracteur. Toutes les parties en rotation doivent être protégées.
Use safety devices on implement side only. All rotating parts must be guarded.

LIMITEUR DE COUPLE À BOULON SHEAR BOLT TORQUE LIMITER



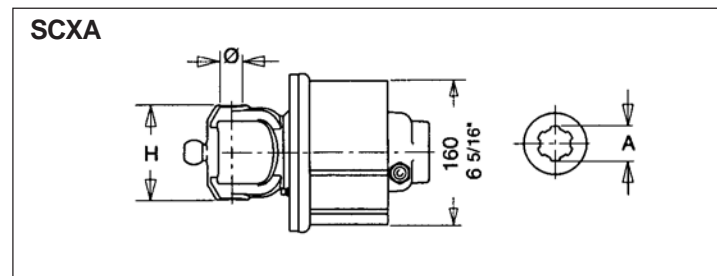
SERIE	N●m - in●lb	H		Ø	A		R	SBXA2	SBXA4	SNXA6	SBXA8
2	900 - 7950	69	2-23/32"	23.8	1-3/8" Z6		55	2-3/16"	606202020		
4	1700 - 15000	93	3-21/32"	23.8	1-3/8" Z6		66	2-5/8"		606404037	
6	2500 - 22100	109	4-5/16"	30.2	1-3/8" Z6	78	3-1/16"			606606053	
					1-3/4" Z6						
8	3500 - 30900	116	4-9/16"	35	1-3/8" Z6	78	3-1/16"				606808062
					1-3/4" Z6						606808063

* Plateau avec mâchoire - *Housing with yoke*



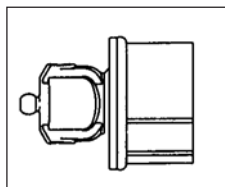
SERIE	SBXA
2	215027101
4	215047101
6	215067101
8	215087101

LIMITEUR DE COUPLE AUTOMATIQUE - *AUTOMATIC TORQUE LIMITER*



SERIE	N●m - in●lb	H		Ø	A		SCXA 6	SCXA 8
6	2500 - 22100	109	4-5/16"	30.2	1-3/8" Z6	662665103	-	
					1-3/4" Z6	662665104	-	
8	3500 - 30900	116	4-9/16"	35	1-3/8" Z6	-	662881103	
					1-3/4" Z6	-	662881104	

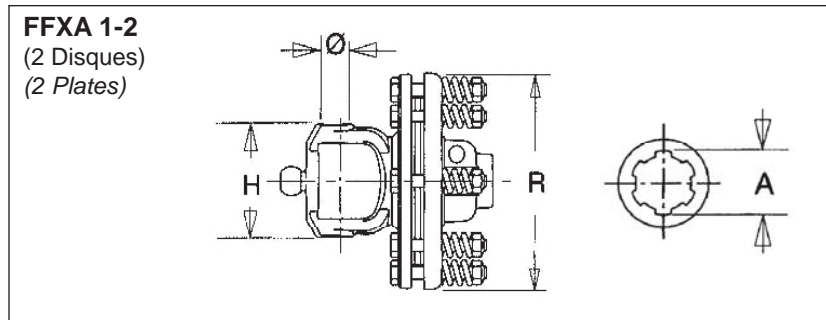
* Carter avec mâchoire - *Housing with yoke*



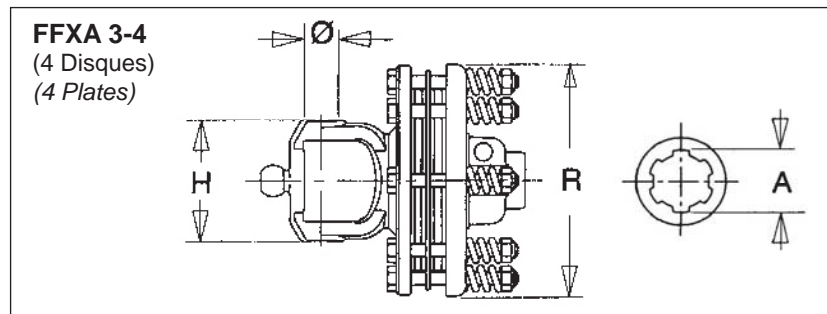
SERIE	SCXA
6	425060106
8	425080106



Il est interdit de monter le dispositif de sécurité côté tracteur. Toutes les parties en rotation doivent être protégées.
Use safety devices on implement side only. All rotating parts must be guarded.

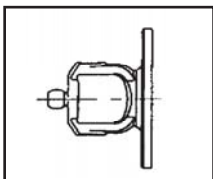
LIMITEUR DE COUPLE À FRICTION - FRICTION TORQUE LIMITER


Série	N/m - in/lb	H		Ø	A	R		FFXA 1	R		FFXA 2
4	900 - 7950	93	3-21/32"	23,8	1-3/8" Z6	180	7-1/16"	637141010			
	900 - 7950				1-3/8" Z6	180	7-1/16"	639141007			
6	1200 - 10600	109	4-5/16"	30,2	1-3/4" Z6				200	7-7/8"	639248022
					1-3/8" Z6				200	7-7/8"	639248023
8	1200 - 10600	116	4-9/16"	35	1-3/8" Z6				200	7-7/8"	641248017
					1-3/4" Z6				200	7-7/8"	641248018



Série	N/m - in/lb	H		Ø	A	R		FFXA 3	R		FFXA 4
6	1450 - 12850	109	4-5/16"	30,2	1-3/8" Z6	180	7-1/16"	639353009			
					1-3/4" Z6	180	7-1/16"	639353010			
					1-3/8" Z6				200	7-7/8"	639453009
					1-3/4" Z6				200	7-7/8"	639453010
8	1500 - 13300	116	4-9/16"	35	1-3/8" Z6	180	7-1/16"	641354010			
					1-3/4" Z6	180	7-1/16"	641354011			
	2000 - 17200				1-3/8" Z6				200	7-7/8"	641460019
	2000 - 17200				1-3/4" Z6				200	7-7/8"	641460020

* Plateau avec mâchoire - *Housing with yoke*

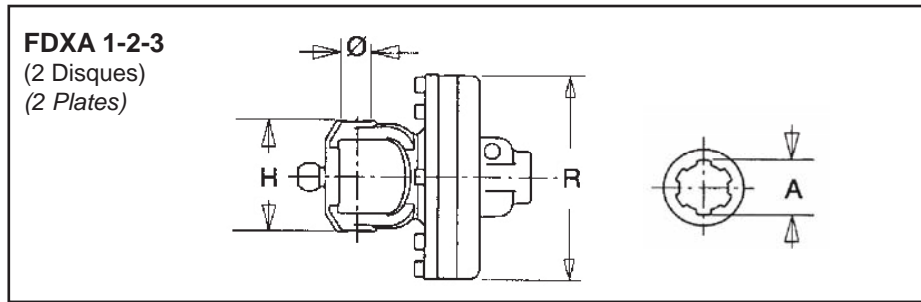


Série	FFXA1	FFXA2	FFXA3	FFXA4
4	215047101			
6	215067101		215067101	
8		215087101		215087101



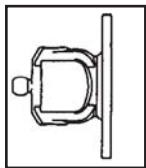
Il est interdit de monter le dispositif de sécurité côté tracteur. Toutes les parties en rotation doivent être protégées.
 Use safety devices on implement side only. All rotating parts must be guarded.

LIMITEUR DE COUPLE À FRICTION FRICTION TORQUE LIMITER

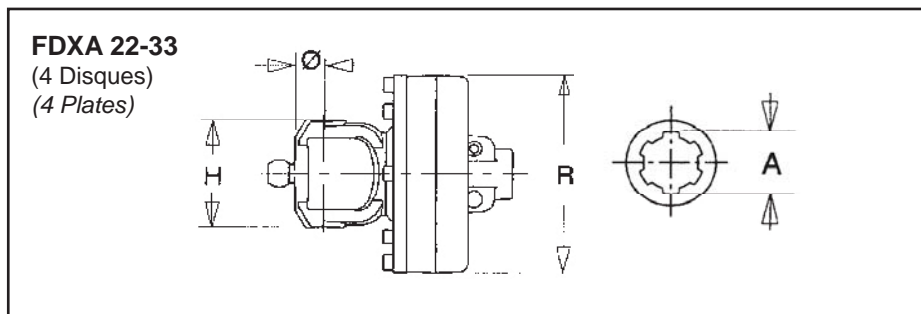


Série	N/m - in/lb	H		Ø	A	R		FDXA 1	R		FDXA 2	R		FDXA 3
2	600 - 5300	69	2-23/32"	23,8	1-3/8" Z6	155	6-1/8"	664232103	178	7"	-			-
4	1000 - 8850	93	3-21/32"	23,8	1-3/8" Z6			-			664444203			
6	1450 - 12850	109	4-5/16"	30,2	1-3/8" Z6			-			-	202	8"	664653303
					1-3/4" Z6			-		-	202	8"	664653304	

* Plateau avec mâchoire - *Housing with yoke*

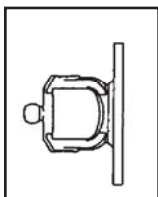


Série	FDXA 1-2-3
2	215027101
4	215047101
6	215067101



série	N/m - in/lb	H		Ø	A	R		FDXA 22	R		FDXA 33
6	2500 - 22100	109	4-5/16"	30,2	1-3/8" Z6	178	7"	664653701			
					1-3/4" Z6	178	7"	664653702			
8	1800 - 15900	116	4-9/16"	35	1-3/8" Z6	178	7"	664858701			
					1-3/4" Z6	178	7"	664858702			
	1-3/8" Z6									664861801	
	1-3/4" Z6								202	8"	664861802

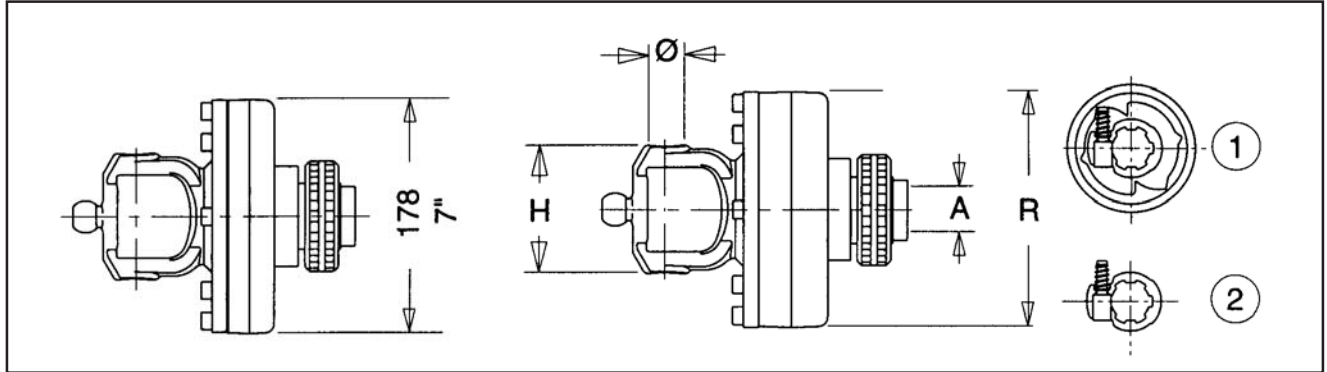
* Plateau avec mâchoire - *Housing with yoke*



SERIE	FDXA 22-33
2	-
4	-
6	215067101
8	215087101

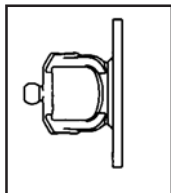


Il est interdit de monter le dispositif de sécurité côté tracteur. Toutes les parties en rotation doivent être protégées.
Use safety devices on implement side only. All rotating parts must be guarded.

LIMITEUR DE COUPLE À FRICTION AVEC ROUE LIBRE - FRICTION TORQUE LIMITER W/OVERRUNNING CLUTCH


SERIE	Nom - in/lb	H		Ø	A	FNXA 2		FNXA 22		FNXA 33	
						1	2	1	2	1	2
4	1000 - 8850	93	3-21/32"	23.8	1-3/8" Z6	666444201	666444203				
6	1800 - 15900	109	4-5/16"	30.2	1-3/8" Z6			666653701	666653703		
8	1800 - 15900	116	4-9/16"	35	1-3/8" Z6			666858701	666858703		
	1-3/8" Z6								666861801	666861803	
	1-3/4" Z6								666861802	666861804	

* Plateau avec mâchoire - Housing with yoke

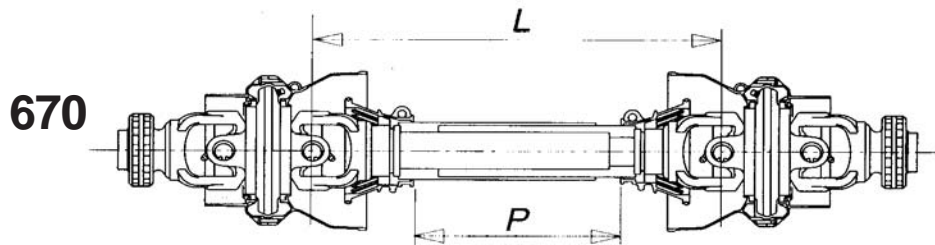
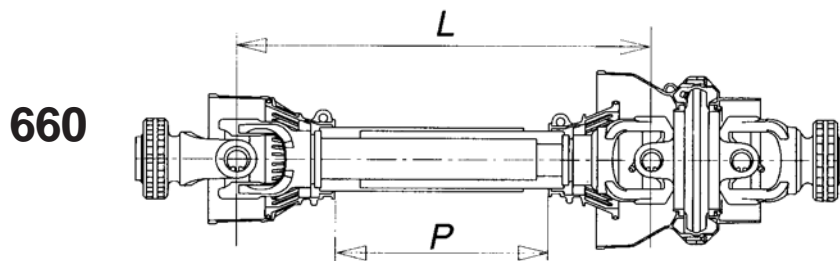
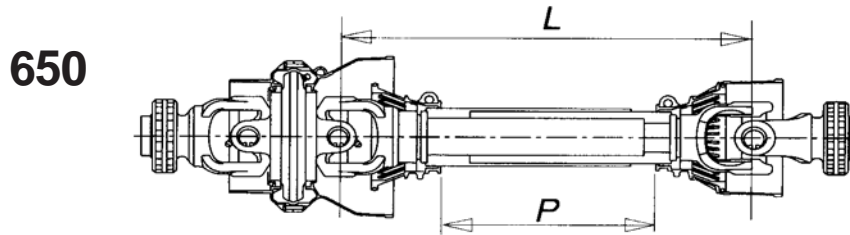


SERIE	FNXA 2	FNXA 22-33
2	-	
4	215047101	
6	-	215067101
8	-	215087101

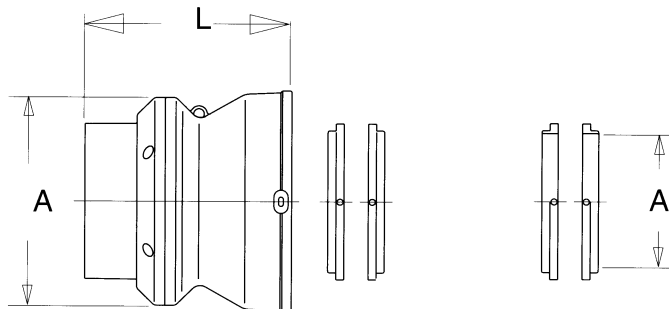


Il est interdit de monter le dispositif de sécurité côté tracteur. Toutes les parties en rotation doivent être protégées.
 Use safety devices on implement side only. All rotating parts must be guarded.

PROTECTEUR POUR JOINT HOMOCINÉTIQUE / SAFETY SHIELD FOR C.V. JOINT
 (Pour enveloppes voir page 26 à 31 et ci-dessous pour les cônes)



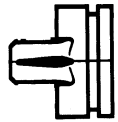
Cône de protection pour joint homocinétique / Hard shell for C.V. joint



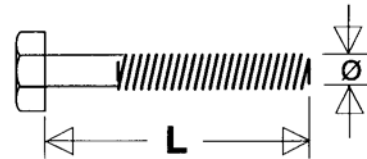
Série	L	A		A	
2	162	147	517027001	83,4	255020451
4	185	180	517048001	105,4	255040351
6	210	200	517068001	125,4	255060351
8	227	223	517088001	140,4	255080351

Pièces CV non courantes K & 600 Série Non current CV parts K & 600 Series

1 		2 		3 		4 		5 		6 		7 		8 		9 						
70° CV YOKE 1-3/8" Z6		1-3/8" Z21		K-SERIES CROSS KIT		70° CV BODY		70° CV OUTER TUBE YOKE		600 SERIES 80° CV YOKE 1-3/8" Z6		1-3/8" Z21		600 SERIES CROSS KIT		600 SERIES 80° CV BODY		600 SERIES OUTER TUBE YOKE		SHELL W/ BEARING		
572020352	572023752	A23.8-B61.3 412020004				218026856		572020353	572023753	A22 - B76 412020007		516020051		216026851	517010059							
						NLA								NLA								
572040352	572043752	A27-B74.6 412040004		508040062		218046856		572040353	572043753	A23.8-B86 412040006		516040051		216046851	517040059							
	NLA					NLA		NLA						NLA								
								572050353	572053753	A27-B94 412050005		516050051		216056851	517050059							
								NLA						NLA								
572060352	572063752	A30.2-B92 412060004				218066856		572060353	572063753	A30.2-B100 412060006		516060051		216066851	517060059							
NLA	NLA					NLA		NLA	NLA					NLA								
572080352	572083752	A35-B106.5 412080004		508080062		218086859		572080353	572083753	A35-B106.5 412080008		516080051		216086851	517080059							
	NLA		NLA	NLA																		



**ANNEAU DE SOUTIEN
PLASTIC RING**

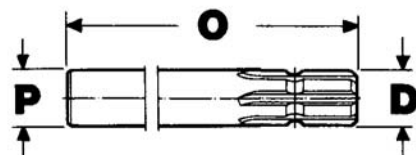


BOULON DE SÉCURITÉ

SHEAR BOLTS FOR SB (cl. 8.8 Hex Head w/lock nut)

Série	Inner	Outer	
201	239006803	239006802	NLA
202	239006806	239006805	NLA
203	239006817	239006814	NLA
204	239006817	239006814	NLA
205	239006819	239006818	
206	239006821	239006820	NLA

Ø x L			Ø x L		
M6 x 40	SB1/2	432000002	M10 x 55	SB6	432000054
M8 x 45	SB3	432000047	M12 x 65	SB7/8/9	432000011
M8 x 50	SB4	432000003	M14 x 70	SB10	432000055
M10 X 50	SB5	432000053			

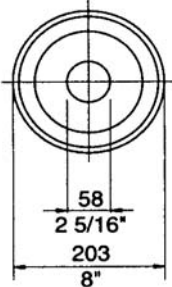
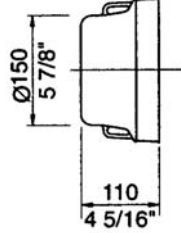
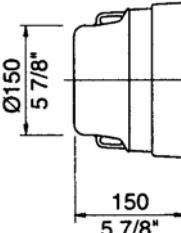
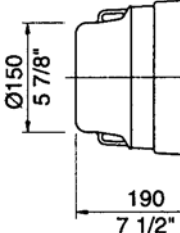
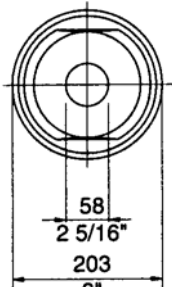
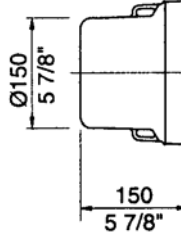
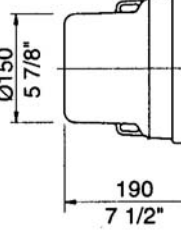
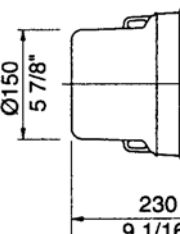
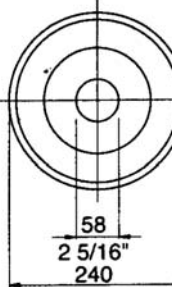
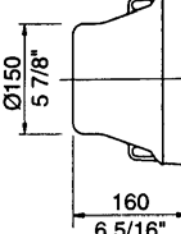
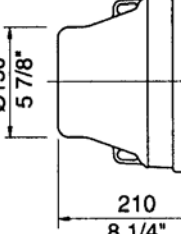
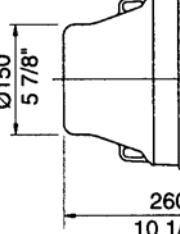

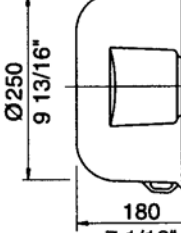
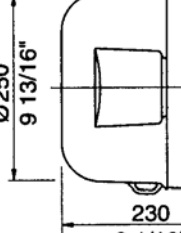
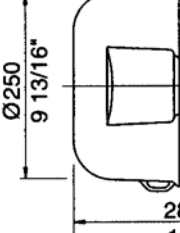


D	O mm	P mm	Code
1 3/8" Z 6	300	35h9	262000304
1 3/4" Z 6	300	50	262000406

401000001	401000002	401000003	401000006
401000007	401000009	401000011	401000012
401000021	401000026	401000028	401000033
401000037	403000001	403000002	403000004
403000006	403000008	403000009	403000010
403000011	403000012	403000013	238000067
403000020			

COMPLET AVEC RESSORTS ET ANNEAUX D'ARRÊT / COMPLETE WITH SPRINGS AND RETAINING CLIPS

BOL - SHAFT CONES

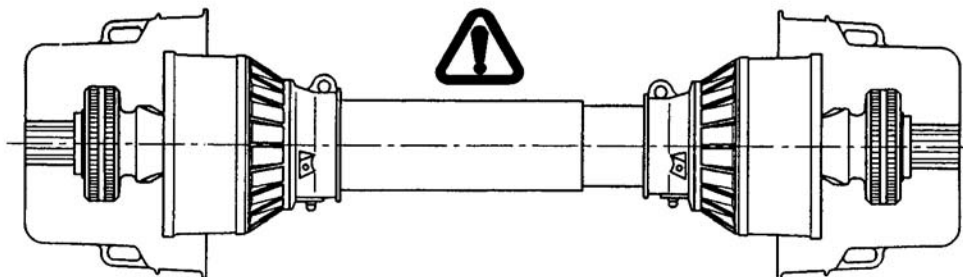
			
Cone complet - Complete cone	21901	41701	41711
Gaines flexibles - Flexible band only	-	21911	21921
			
Cone complet - Complete cone	21902	41702	41712
Gaines flexibles - Flexible band only	-	21911	21921
			
Cone complet - Complete cone	21903	41703	41713
Gaines flexibles - Flexible band only	-	21912	21922
			
Cone complet - Complete cone	21903	41703	41713
Gaines flexibles - Flexible band only	-	21912	21922

* Version disponible avec 1 ou 2 trappes: **01** pour une trappe (par ex 2190401) , **02** pour 2 trappes (par ex 4171402)

* Version available with 1 or 2 openings. Add to code of cone desired respectively: **01** for one opening (example 2190401) **02** for two opening (example 4171402)

CHOIX DU BOL - SHAFT CONE APPLICATION

Dim. Size	Mâchoire Yoke	RA1-2-3 SA1-2	SA3-4	SB1-10	SC5-10	FF1-2-3-4	FD1-2-3 FD22-22 FN2-22-33	OC
1	21902	41702	41712	21902			21904	21904
2								
3	41701							
4		41703	41713	4171401	4171401	41704	21904	
5								
6	41703	41713		41703	4171401	4171401	41704	4170401
7								
8								
9								
10								



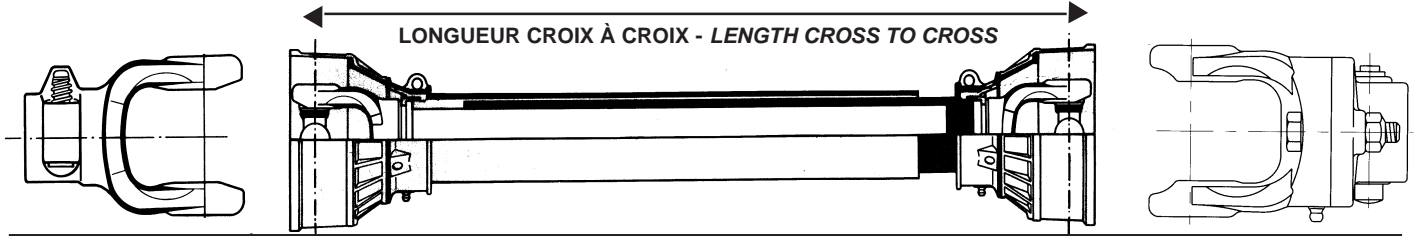
ATTENTION

Bondioli & Pavesi recommande fortement que l'opérateur conserve l'écran de protection en bon état de fonctionnement, ainsi que la protection principale du tracteur et tout écran de protection outils originellement en place sur la machine. Contacter le concessionnaire / fabricant du tracteur ou des outils si les protections principales et/ou outils sont endommagées ou manquantes. Utiliser des pièces détachées d'origine du constructeur du matériel ou de Bondioli & Pavesi pour les remplacements.

ATTENTION

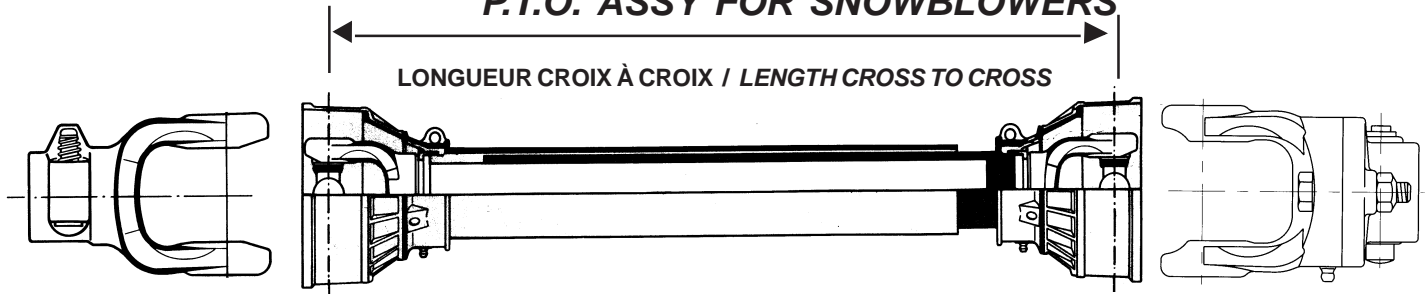
Bondioli & Pavesi strongly recommends that the operator maintain the proper shielding in good working order, including the master shield of the tractor and any implement shielding originally in place on the machine. Contact the tractor or implement dealer / manufacturer if the master or implement shields are damaged or missing. Use OEM or genuine Bondioli & Pavesi spare parts for replacements.

PRISE DE FORCE POUR SOUFFLEUSES À NEIGE P.T.O. ASSY FOR SNOWBLOWERS



NUMÉROS NUMBERS	DESCRIPTION
	<p>SÉRIE 2 Inclus croix 41202 (23.8 x 61.3mm) Includes cross kit 41202 (23.8 x 61.3mm)</p> <p style="text-align: center;"> </p>
7102061FF	Prise de force assemblée comprenant 1 Prise de force 7102061FF (24" c.c.) <i>PTO shaft assy including 1 pto shaft 7102061FF.</i>
606202001	Fourche de remplacement 1-3/8" x 6 cannelures (boulon de cisaille) Q.D. <i>Replacement yoke 1-3/8" x 6- splines (shear bolt) quick disconnect</i>
211026761	Fourche de remplacement 1" rond <i>Replacement yoke 1" round</i>
	<p>SÉRIE 4 Inclus croix 41204 (27 x 74.6mm) Includes cross kit 41204 (27 x 74.6mm)</p> <p style="text-align: center;"> </p>
7104081FFT07098	Prise de force assemblée comprenant 1 prise de force 7104081FF (32" c.c.) 1 Fourche 1-3/8" x 6 cannelures "quick disconnect" 572040351 et 1 Fourche 1-3/8" x 6 cannelures (boulon de cisaille) "quick disconnect" 606404001 <i>PTO shaft assy including 1 pto shaft 7104081FF, 1 Yoke 1-3/8", 6 splines quick disconnect 572040351 and 1 yoke 1-3/8" x 6 splines, shear bolt, quick disconnect 606404001.</i>
572040351	Fourche de remplacement 1-3/8" x 6 cannelures "quick disconnect" <i>Replacement yoke 1-3/8" x 6 splines quick disconnect</i>
606404001	Fourche de remplacement 1-3/8" x 6 cannelures (boulon de cisaille) Q.D. <i>Replacement yoke 1-3/8" x 6 splines (shear bolt) quick disconnect</i>
	<p>SÉRIE 5 Inclus croix 41205 (30.2 x 80mm) Includes cross kit 41205 (30.2 x 80mm)</p> <p style="text-align: center;"> </p>
7105086FFT07098	Prise de force assemblée comprenant 1 prise de force 7105086FF (34" c.c.) 1 Fourche 1-3/8" x 6 cannelures "quick connect" 572050351 et 1 fourche 1-3/8" x 6 cannelures (boulon de cisaille) "quick disconnect" 606505001. <i>PTO shaft assy including 1 pto shaft 7105086FF, 1 yoke 1-3/8", 6 splines quick disconnect 572050351 and 1 yoke 1-3/8" x 6 splines, shear bolt, quick disconnect 606505001.</i>
572050351	Fourche de remplacement 1-3/8" x 6 cannelures "quick disconnect" <i>Replacement yoke 1-3/8" x 6 splines quick disconnect</i>
606505001	Fourche de remplacement 1-3/8" x 6 cannelures (boulon de cisaille) Q.D. <i>Replacement yoke 1-3/8" x 6 splines (shear bolt) quick disconnect</i>

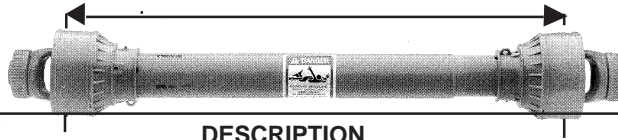
PRISE DE FORCE POUR SOUFFLEUSES À NEIGE P.T.O. ASSY FOR SNOWBLOWERS



NUMÉROS NUMBERS	DESCRIPTION
	<p>SÉRIE 6 Inclus croix 41206 (30.2 x 92 mm) / Includes cross kit 41206 (30.2 x 92 mm)</p> <p style="text-align: center;">← 28" →</p>
7106071FFT07098	Prise de force assemblée comprenant 1 prise de force 7106071FF (28" c.c.) 1 Fourche 1-3/8" x 6 cannelures "quick disconnect" 572060351 et 1 fourche 1-3/8" x 6 cannelures (boulon de cisaille) "quick disconnect" 606606001. <i>PTO Shaft assy including 1 pto shaft 7106071FF, 1 yoke 1-3/8", 6 splines quick disconnect 572060351 and 1 yoke 1-3/8" x 6 splines, shear bolt, quick disconnect 606606001.</i>
572060351	Fourche de remplacement 1-3/8" x 6 cannelures "quick disconnect". <i>Replacement yoke 1-3/8" x 6 splines quick disconnect.</i>
606606001	Fourche de remplacement 1-3/8" x 6 cannelures (boulon de cisaille) Q.D. <i>Replacement yoke 1-3/8" x 6 splines (shear bolt) quick disconnect.</i>
	<p>SÉRIE 8 Inclus croix 41208 (35 x 106.5 mm) / Includes cross kit (35 x 106.5 mm)</p> <p style="text-align: center;">← 28" →</p>
7108071FFT07SB8	Prise de force assemblée comprend 1 prise de force 7108071FF (28" c.c.) 1 Fourche 1-3/8" x 6 cannelures "quick disconnect" 572080351 et 1 fourche 1-3/4" x 20 cannelures (boulon de cisaille) 606808079. <i>PTO shaft assy including 1 pto shaft 7108071FF, 1 yoke 1-3/8" x 6 splines quick disconnect 572080351 and 1 yoke 1-3/4" x 20 splines, shear bolt, 606808079.</i>
572080351	Fourche de remplacement 1-3/8" x 6 cannelures "quick disconnect". <i>Replacement yoke 1-3/8" x 6 splines quick disconnect.</i>
606808079	Fourche de remplacement 1-3/4" x 20 cannelures (boulon de cisaille). <i>Replacement yoke 1-3/4" x 20 splines, shear bolt.</i>
432000002	Boulon de cisaille SÉRIE 2 / <i>SERIE 2 Shear bolt</i>
432000003	Boulon de cisaille SÉRIE 4 / <i>SERIE 4 Shear bolt</i>
432000053	Boulon de cisaille SÉRIE 5 / <i>SERIE 5 Shear bolt</i>
432000054	Boulon de cisaille SÉRIE 6 / <i>SERIE 6 Shear bolt</i>
432000011	Boulon de cisaille SÉRIE 8 / <i>SERIE 8 Shear bolt</i>
403000001	Verrou complet SÉRIE 2 à 8 pour fourche 1-3/8" 6 cannelures. <i>Quick disconnect SERIE 2 to 8 for yoke 1-3/8" 6 splines.</i>
403000012	Verrou complet SÉRIE 4 à 8 pour fourche 1-3/4" 20 cannelures. <i>Quick disconnect SERIE 4 to 8 for yoke 1-3/4" 20 splines.</i>

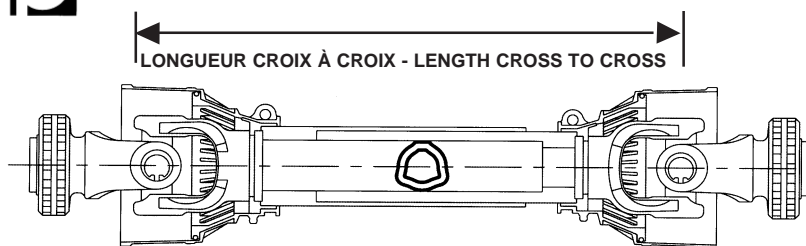
AUTRES LONGUEURS DISPONIBLES SUR DEMANDE / OTHER LENGTHS AVAILABLE ON REQUEST

PRISE DE FORCE POUR DÉBROUSSAILLEUSES ROTARY CUTTER DRIVELINES



NUMÉROS	DESCRIPTION
<p>8104061FXT07001</p> <p>572040351</p> <p>211044955</p> <p>M1400-035</p>	<p>DÉBROUSSAILLEUSE 4' / ROTARY CUTTER 4' SÉRIE 4 Inclus croix 41204 (27 x 74.6 mm) / Includes cross kit 41204 (27 x 74.6 mm) ← 24" →</p> <p>Prise de force assemblée incluant 1 prise de force 8104061FX (24" c.c.) 1 Fourche 1-3/8" x 6 cannelures "quick disconnect" 572040351 et 1 fourche 1-3/8" rond 211044955. <i>PTO shaft assy including 1 pto shaft 8104061FX, (24" c.c.) 1 yoke 1-3/8" 6 splines quick disconnect 572040351, 1 yoke 1-3/8" round 211044955.</i></p> <p>Fourche de remplacement 1-3/8" x 6 cannelures "quick disconnect". <i>Replacement yoke 1-3/8" x 6 splines quick disconnect.</i></p> <p>Fourche de remplacement 1-3/8" rond avec rainure pour anneau d'arrêt (non inclus). <i>Replacement yoke 1-3/8" round with groove for snap ring (not included).</i></p> <p>Anneau d'arrêt / Snap ring</p>
<p>8104074FXT07001</p> <p>572040351</p> <p>211044955</p> <p>M1400-035</p>	<p>DÉBROUSSAILLEUSE 5' / ROTARY CUTTER 5' SÉRIE 4 Inclus croix 41204 (27 x 74.6 mm) / Includes cross kit 41204 (27 x 74.6 mm) ← 29" →</p> <p>Prise de force assemblée incluant 1 prise de force 8104074FX (29" c.c.) 1 Fourche 1-3/8" x 6 cannelures "quick disconnect" 572040351 et 1 fourche 1-3/8" rond 211044955. <i>PTO shaft assy including 1 pto shaft 8104074FX, (29 c.c.) 1 yoke 1-3/8" 6 splines quick disconnect 572040351, 1 yoke 1-3/8" round 211044955.</i></p> <p>Fourche de remplacement 1-3/8" x 6 cannelures "quick disconnect". <i>Replacement yoke 1-3/8" x 6 splines quick disconnect.</i></p> <p>Fourche de remplacement 1-3/8" rond avec rainure pour anneau d'arrêt (non inclus). <i>Replacement yoke 1-3/8" round with groove for snap ring (not included).</i></p> <p>Anneau d'arrêt / Snap ring</p>
<p>8105088FXT07002</p> <p>572050351</p> <p>211054954</p> <p>M1400-035</p>	<p>DÉBROUSSAILLEUSE 6' / ROTARY CUTTER 6' SÉRIE 5 Inclus croix 41205 (30.2 x 80 mm) / Includes cross kit 41205 (30.2 x 80 mm) ← 34.5" →</p> <p>Prise de force assemblée incluant 1 prise de force 8105088FX (34.5" c.c.) 1 Fourche 1-3/8" x 6 cannelures "quick disconnect" 572050351 et 1 fourche 1-3/8" rond 211054954. <i>PTO shaft assy including 1 pto shaft 8105088FX, (34.5 c.c.) 1 yoke 1-3/8" 6 splines quick disconnect 572050351, 1 yoke 1-3/8" round 211054954.</i></p> <p>Fourche de remplacement 1-3/8" x 6 cannelures "quick disconnect". <i>Replacement yoke 1-3/8" x 6 splines quick disconnect.</i></p> <p>Fourche de remplacement 1-3/8" rond avec rainure pour anneau d'arrêt (non inclus). <i>Replacement yoke 1-3/8" round with groove for snap ring (not included).</i></p> <p>Anneau d'arrêt / Snap ring</p>
<p>8105088FXT07001</p> <p>572050351</p> <p>638248004</p>	<p>DÉBROUSSAILLEUSE 6' H.D. / ROTARY CUTTER 6' H.D. SÉRIE 5 Inclus croix 41205 (30.2 x 80 mm) / Included cross kit 41205 (30.2 x 80 mm) ← 34.5" →</p> <p>Prise de force assemblée incluant 1 prise de force 8105088FX (34.5" c.c.) 1 Fourche 1-3/8" x 6 cannelures "quick disconnect" 572050351 et 1 embrayage à disques 1-3/8" x 6 cannelures 638248004. <i>PTO shaft assy including 1 pto shaft 8105088FX, 1 yoke 1-3/8" 6 splines quick disconnect 572050351, 1 friction type torque limiter 1-3/8" 6 splines 638248004.</i></p> <p>Fourche de remplacement 1-3/8" x 6 cannelures "quick disconnect". <i>Replacement yoke 1-3/8" x 6 splines quick disconnect.</i></p> <p>Embrayage de sécurité à disques 1-3/8" 6 cannelures. <i>Friction type torque limiter 1-3/8" 6 splines.</i></p>
<p>637134021</p> <p>638134010</p>	<p>Embrayage à disques, fait sur 8104061FXT07001 et 8104074FXT07001. <i>Friction type torque limiter, fit on 8104061FXT07001 and 8104074FXT07001.</i></p> <p>Embrayage à disques, fait sur 8105088FXT07002 et 8105088FXT07001. <i>Friction type torque limiter, fit on 8105088FXT07002 and 8105088FXT07001.</i></p>

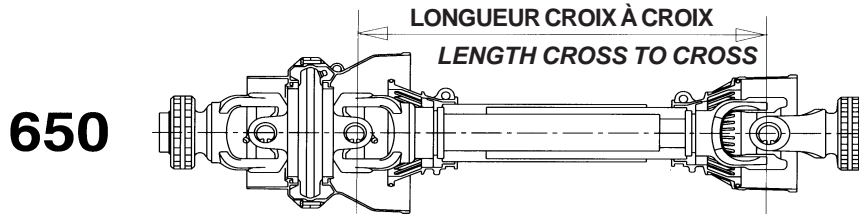
PRISE DE FORCE ASSEMBLÉE



NUMÉROS NUMBERS	DESCRIPTION
	SÉRIE 1 16 H.P.
7101061FFT07S07.	Prise de force assemblée comprenant, 1 centre de 24" c.c. et 2 fourches 1-3/8" 6 cannelures <i>PTO shaft assy including , 1 center of 24" c.c. and 2 yokes 1-3/8" 6 splines.</i>
7101121FFT07S07.	Prise de force assemblée comprenant, 1 centre de 48" c.c. et 2 fourches 1-3/8" 6 cannelures <i>PTO shaft assy including, 1 center of 48" c.c. and 2 yokes 1-3/8" 6 splines.</i>
	SÉRIE 2 21 H.P.
7102071FFT07652.	Prise de force assemblée comprenant 1 centre de 28" c.c. et 1 fourche 1-3/8" 6 cannelures, 1 fourche 1" rond avec boulon de sécurité 1/4". <i>PTO shaft assy including 1 center of 28" c.c. and 1 yoke 1-3/8" 6 splines, 1 yoke 1" round with shear bolt 1/4".</i>
7102121FFT07S07.	Prise de force assemblée comprenant 1 centre de 48" c.c. et 2 fourches 1-3/8" 6 cannelures <i>PTO shaft assy including 1 center of 48" c.c. and 2 yokes 1-3/8" 6 splines.</i>
100.2056	Prise de force ass. pour treuil comprenant 1 centre de 22" c.c. et 2 fourches 1-3/8" 6 cannelures. <i>PTO shaft assy for winch including 1 center of 22" c.c. and 2 yokes 1-3/8" 6 splines.</i>
	SÉRIE 3 30 H.P.
100.3046	Prise de force ass. pour treuil comprenant 1 centre de 18" c.c. et 2 fourches 1-3/8" 6 cannelures. <i>PTO shaft assy for winch including 1 center of 18" c.c. and 2 yokes 1-3/8" 6 splines.</i>
	SÉRIE 4 35 H.P.
7104061FFT07S07.	Prise de force assemblée comprenant 1 centre de 24" c.c. et 2 fourches 1-3/8" 6 cannelures <i>PTO shaft assy including 1 center of 24" c.c. and 2 yokes 1-3/8" 6 splines.</i>
7104071FFT07S07.	Prise de force assemblée comprenant 1 centre de 28" c.c. et 2 fourches 1-3/8" 6 cannelures <i>PTO shaft assy including 1 center of 28" c.c. and 2 yokes 1-3/8" 6 splines.</i>
7104121FFT07S07.	Prise de force assemblée comprenant 1 centre de 48" c.c. et 2 fourches 1-3/8" 6 cannelures <i>PTO shaft assy including 1 center of 48" c.c. and 2 yokes 1-3/8" 6 splines.</i>
	SÉRIE 5 47 H.P.
7105071FFT07S07.	Prise de force assemblée comprenant 1 centre de 28" c.c. et 2 fourches 1-3/8" 6 cannelures <i>PTO shaft assy including 1 center of 28" c.c. and 2 yokes 1-3/8" 6 splines.</i>
7105121FFT07S07.	Prise de force assemblée comprenant 1 centre de 48" c.c. et 2 fourches 1-3/8" 6 cannelures <i>PTO shaft assy including 1 center of 48" c.c. and 2 yokes 1-3/8" 6 splines.</i>
	SÉRIE 6 64 H.P.
7106086FFT07S07.	Prise de force assemblée comprenant 1 centre de 34" c.c. et 2 fourches 1-3/8" 6 cannelures <i>PTO shaft assy including 1 center of 34" c.c. and 2 yokes 1-3/8" 6 splines.</i>
7106121FFT07S07.	Prise de force assemblée comprenant 1 centre de 48" c.c. et 2 fourches 1-3/8" 6 cannelures <i>PTO shaft assy including 1 center of 48" c.c. and 2 yokes 1-3/8" 6 splines.</i>
	SÉRIE 8 95 H.P.
7108071FFT07S07.	Prise de force assemblée comprenant 1 centre de 28" c.c. et 2 fourches 1-3/8" 6 cannelures <i>PTO shaft assy including 1 center of 28" c.c. and 2 yokes 1-3/8" 6 splines.</i>
7108121FFT07S07.	Prise de force assemblée comprenant 1 centre de 48" c.c. et 2 fourches 1-3/8" 6 cannelures <i>PTO shaft assy including 1 center of 48" c.c. and 2 yokes 1-3/8" 6 splines.</i>

 Voir page 57 pour produit alternatif
See page 57 for alternative product

AUTRES MODÈLES DISPONIBLES SUR DEMANDE - OTHER MODELS AVAILABLE ON REQUEST

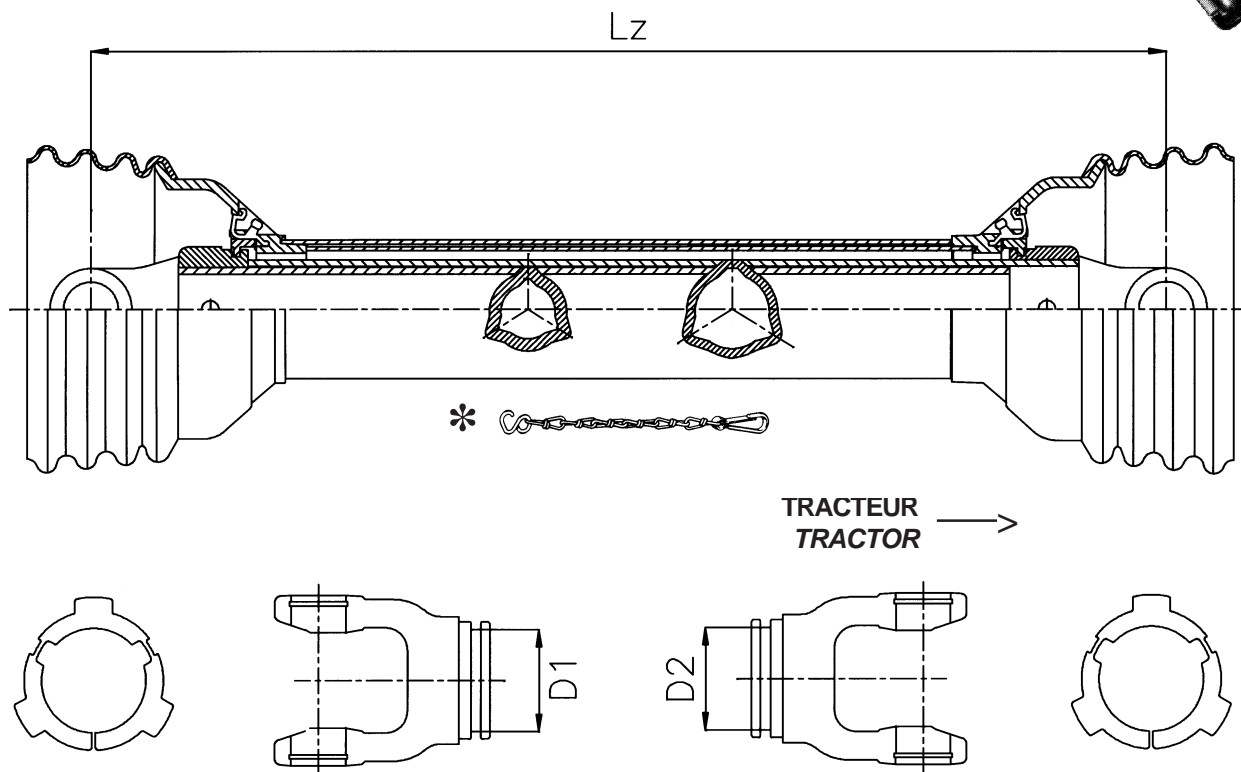


NUMÉROS NUMBERS	DESCRIPTION
	<p>SÉRIE 2 21 H.P.</p> <p>7652121FFT07S07. Prise de force assemblée homocinétique comprenant, 1 centre de 48" c.c. et 2 fourches 1-3/8" 6 cannelures C.V. PTO shaft assy including, 1 center of 48" c.c. and 2 yokes 1-3/8" 6-splines.</p>
	<p>SÉRIE 4 35 H.P.</p> <p>7654121FFT07S07. Prise de force assemblée homocinétique comprenant, 1 centre de 48" c.c. et 2 fourches 1-3/8" 6 cannelures C.V. PTO shaft assy including, 1 center of 48" c.c. and 2 yokes 1-3/8" 6-splines.</p>
7656121FFT07S07.	<p>SÉRIE 6 64 H.P.</p> <p>Prise de force assemblée homocinétique comprenant, 1 centre de 48" c.c. et 2 fourches 1-3/8" 6 cannelures C.V. PTO shaft assy including, 1 center of 48" c.c. and 2 yokes 1-3/8" 6-splines.</p>
	<p>SÉRIE 8 95 H.P.</p> <p>7658121FFT07S07. Prise de force assemblée homocinétique comprenant, 1 centre de 48" c.c. et 2 fourches 1-3/8" 6 cannelures C.V. PTO shaft assy including, 1 center of 48" c.c. and 2 yokes 1-3/8" 6-splines.</p>

Voir page 57 pour produit alternatif
See page 57 for alternative product

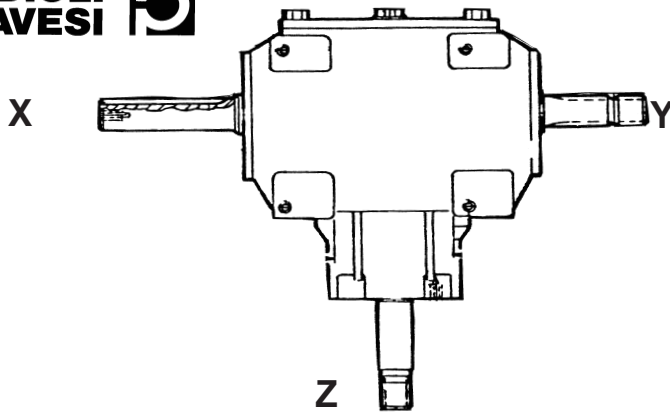
Enveloppe protectrice complète AGDRIVE s'adaptant sur P.T.O BONDOLI & PAVESI
 AGDRIVE complete safety guard fit on BONDOLI & PAVESI P.T.O.
SANS COUSSINETS (LESS BEARINGS)

“Easy-Lock”



Série Bondioli	D1	D2	Jeu coussinets	Enveloppe sans coussinets	Lz
Serie	mm	mm	Bearing set	Guard less bearings	mm
1	34	40	961-5029	900-2560	1520
2	40	46	961-2502	900-2560	1520
3 & 4	46	53	961-2534	900-2560	1520
5	53	62	961-3505	902-3560	1520
6 & 7	59	68	961-3567	902-3560	1520
8 & 9	68	80	961-4589	900-4560	1520

* CHAINE { AS65
 CHAIN

BONDOLI & PAVESI


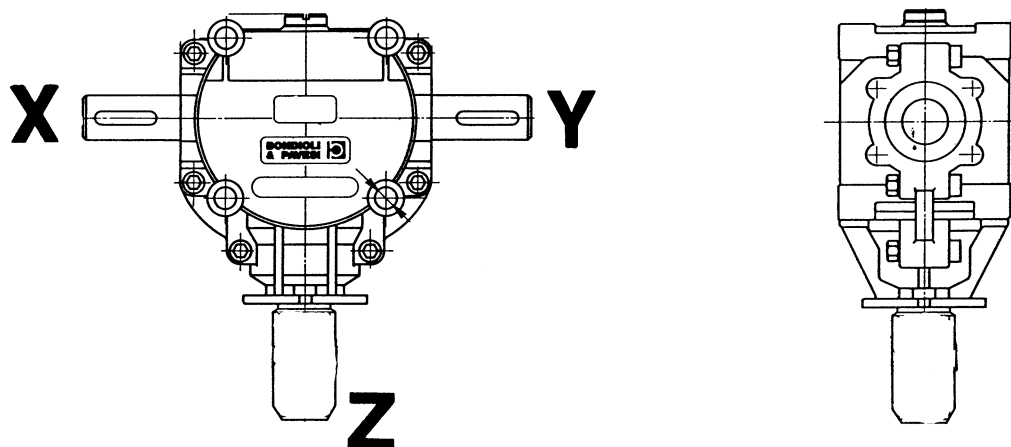
BOÎTE D'ENGRENAGES POUR SOUFFLEUSES À NEIGE

GEAR BOXES FOR SNOW BLOWERS

NUMÉROS NUMBERS	DESCRIPTION
S805010000	<p>BOÎTES D'ENGRENAGES MODÈLES "T" " T MODELS " " GEAR BOXES "</p> <p>Boîte d'engrenage modèle pour tracteurs jusqu'à 50 H.P. avec rainure de sécurité sur l'arbre du tracteur.</p> <p>Y Arbre du tracteur: 1-1/2" Dia x 3" longueur, avec rainure 3/8".</p> <p>Z Arbre de côté: 1-1/4" x 19 cannelures x 4-1/2" longueur.</p> <p>X Arbre de ventilateur: 1-1/2" Dia x 4-1/2" longueur, chemin de clé 3/8". (50 H.P. RATIO: 1 À 1)</p>
S805010001	<p>Boîte d'engrenage modèle pour tracteurs jusqu'à 50 H.P. avec rainure de sécurité sur l'arbre du tracteur.</p> <p>Y Arbre du tracteur: 1-3/8" x 6 cannelures</p> <p>Z Arbre de côté: 1-1/4" x 19 cannelures x 4-1/2" longueur.</p> <p>X Arbre de ventilateur: 40mm rond (50 H.P. RATIO: 1 À 1)</p>
S805010002	<p>Boîte d'engrenage modèle pour tracteurs jusqu'à 50 H.P. avec rainure de sécurité sur l'arbre du tracteur.</p> <p>Y Arbre du tracteur: 1-3/8" x 6 cannelures x 3-1/4" longueur.</p> <p>Z Arbre de côté: 1-1/4" x 19 cannelures x 4-1/2" longueur.</p> <p>X Arbre de ventilateur: 1-1/2" Dia x 4-1/2" longueur, chemin de clé 3/8". (50 H.P. RATIO: 1 À 1)</p>
S208010001	<p>Boîte d'engrenage "HEAVY DUTY" modèle pour tracteurs jusqu'à 100 H.P. sur l'arbre du tracteur.</p> <p>Y Arbre du tracteur: 1-3/4" x 20 cannelures x 3-1/2" longueur.</p> <p>Z Arbre de côté: 1-3/4" x 20 cannelures x 4" longueur.</p> <p>X Arbre de ventilateur: 2" Dia x 6" longueur, chemin de clé 1/2". (50 H.P. RATIO: 1 À 1)</p>
498160002	<p>BAGUE - SLEEVE</p> <p>Bague d'accouplement pour les boîtes d'engrenage ci-haut. Un bout de 1-1/4" rond pour souder l'arbre. Un bout de 1-1/4" avec 19 cannelures.</p>
498160003	<p>Bague d'accouplement pour les boîtes d'engrenage ci-haut. Un bout de 1-3/4" rond pour souder l'arbre. Un bout de 1-3/4" avec 20 cannelures.</p>

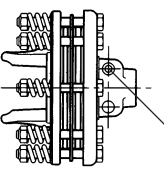


BOÎTES D'ENGRENAGES - GEAR BOXES



NUMÉROS NUMBERS	DESCRIPTION	SPE
S1018055	Boîte d'engrenage aluminium 2 shafts Arbre: Z 1" Dia x 2" longueur Arbre: Y 1" Dia x 2" longueur Clé 1/4" x 1-1/2"	13.5 H.P. RATIO: 1 à 1.5
S1018069	Boîte d'engrenage aluminium 3 shafts Arbre: Z 1 x 15 Can. Dia x 2" longueur Arbre: Y 1" Dia x 2" longueur Arbre: X 1" Dia x 2" longueur Clé 1/4" x 1-7/8"	13.5 H.P. RATIO: 1 à 1.5
S1018100030	Boîte d'engrenage aluminium 3 shafts Arbre: Z 1" Dia x 2" longueur Arbre: Y 1" Dia x 2" longueur Arbre: X 1" Dia x 2" longueur Clé 1/4" x 1-3/8"	15 H.P. RATIO: 1 à 1
498160001	<p align="center">BAGUE - SLEEVE</p> Bague d'accouplement pour les boîtes d'engrenage ci-haut Un bout de 1" rond pour souder l'arbre. Un bout de 1" avec 15 cannelures.	

PIÈCES POUR BOÎTE D'ENGRENAGE BONDIOLI PARTS FOR GEAR BOX BONDIOLI

NUMÉROS NUMBERS	DESCRIPTION
339000045	Anneau de retenue pour boîte d'engrenage S2080100001 <i>Snap ring for gear box S2080100001</i>
295036703	Arbre pour boîte d'engrenage S8050100002 <i>Shaft for gear box S8050100002</i>
295387900	Arbre pour boîte d'engrenage S2080100001 <i>Shaft for gear box S2080100001</i>
355000045	Joint d'huile 45x85x10 pour S2080100001 <i>Oil seal 45x85x10 for S2080100001</i>
355000055	Joint d'huile 55x90x10 pour S2080100001 <i>Oil seal 55x90x10 for S2080100001</i>
355002040	Joint d'huile 40x80x10 pour S8050100000/01/02 <i>Oil seal 40x80x10 for S8050100000/01/02</i>
448100714	Engrenage conique S8050100000/01/02 <i>Bevel gear for S8050100000/01/02</i>
	408000010 Boulon pour embrayage ancien modèle Type FF <i>Bolt for clutch old model Type FF.</i>

BONDOLI & PAVESI **PRODUITS ALTERNATIFS / ALTERNATIVE PRODUCTS**

No. Produit <i>Origine</i>	Description	Alternatif <i>Alternative</i>
125021500	Tube triangulaire / <i>Triangle tube</i>	AP01263
125031500	Tube triangulaire / <i>Triangle tube</i>	AP01332
125041500	Tube triangulaire / <i>Triangle tube</i>	AP02293
125051500	Tube triangulaire / <i>Triangle tube</i>	AP23363
125071500	Tube triangulaire / <i>Triangle tube</i>	AP40364
125081500	Tube triangulaire / <i>Triangle tube</i>	AP34433
125091500	Tube triangulaire / <i>Triangle tube</i>	AP56454
125101500	Tube triangulaire / <i>Triangle tube</i>	AP50523
125111500	Tube triangulaire / <i>Triangle tube</i>	AP78455
125121500	Tube triangulaire / <i>Triangle tube</i>	AP67544
125221500	Tube triangulaire / <i>Triangle tube</i>	AP68634
125971500	Tube triangulaire / <i>Triangle tube</i>	AP56454
204016851	Mâchoire intérieure / <i>Inner yoke</i>	AP1233
204016852	Mâchoire intérieure / <i>Inner yoke</i>	AP1226
204026851	Mâchoire intérieure / <i>Inner yoke</i>	AP2236
204026852	Mâchoire intérieure / <i>Inner yoke</i>	AP2229
204036851	Mâchoire intérieure / <i>Inner yoke</i>	AP3243
204036852	Mâchoire intérieure / <i>Inner yoke</i>	AP3236
204046851	Mâchoire intérieure / <i>Inner yoke</i>	AP4243
204046852	Mâchoire intérieure / <i>Inner yoke</i>	AP4236
204056860	Mâchoire intérieure / <i>Inner yoke</i>	AP500252
204056861	Mâchoire intérieure / <i>Inner yoke</i>	AP500245
204076851	Mâchoire intérieure / <i>Inner yoke</i>	AP7254
204076852	Mâchoire intérieure / <i>Inner yoke</i>	AP7245
204086852	Mâchoire intérieure / <i>Inner yoke</i>	AP8245
204086860	Mâchoire intérieure / <i>Inner yoke</i>	AP8263
204086861	Mâchoire intérieure / <i>Inner yoke</i>	AP8254
204176851	Mâchoire intérieure / <i>Inner yoke</i>	AP770254
204176852	Mâchoire intérieure / <i>Inner yoke</i>	AP770245
211034851	Mâchoire extérieure / <i>Outer yoke</i>	11.23.11
211034951	Mâchoire extérieure / <i>Outer yoke</i>	11.23.15
212026151	Mâchoire extérieure / <i>Outer yoke</i>	20.15.17
212026251	Mâchoire extérieure / <i>Outer yoke</i>	20.30.05
212046251	Mâchoire extérieure / <i>Outer yoke</i>	21.30.07
212046351	Mâchoire extérieure / <i>Outer yoke</i>	21.24.03
212066251	Mâchoire extérieure / <i>Outer yoke</i>	22.22.04
212086451	Mâchoire extérieure / <i>Outer yoke</i>	24.15.09
221037153	Mâchoire / <i>Flange yoke</i>	AP311900
572010351	Mâchoire extérieure / <i>Outer yoke</i>	AP100138
572020351	Mâchoire extérieure / <i>Outer yoke</i>	20.10.00
572030351	Mâchoire extérieure / <i>Outer yoke</i>	11.10.00
572040351	Mâchoire extérieure / <i>Outer yoke</i>	21.10.00
572050351	Mâchoire extérieure / <i>Outer yoke</i>	AP500138
572060351	Mâchoire extérieure / <i>Outer yoke</i>	22.10.00
572070351	Mâchoire extérieure / <i>Outer yoke</i>	AP770138
572080351	Mâchoire extérieure / <i>Outer yoke</i>	24.10.00
572080451	Mâchoire extérieure / <i>Outer yoke</i>	24.17.00
572083751	Mâchoire extérieure / <i>Outer yoke</i>	24.18.00
41201	Croisillon / <i>Cross & bearing kit</i>	AP100
41202	Croisillon / <i>Cross & bearing kit</i>	20.00.00
41203	Croisillon / <i>Cross & bearing kit</i>	11.03.00
41204	Croisillon / <i>Cross & bearing kit</i>	21.00.00
41205	Croisillon / <i>Cross & bearing kit</i>	AP500
41206	Croisillon / <i>Cross & bearing kit</i>	22.00.00
41207	Croisillon / <i>Cross & bearing kit</i>	AP700
41208	Croisillon / <i>Cross & bearing kit</i>	24.01.00
41209	Croisillon / <i>Cross & bearing kit</i>	AP900
41210	Croisillon / <i>Cross & bearing kit</i>	AP1000

PRODUITS ALTERNATIFS / ALTERNATIVE PRODUCTS

No. Produit <i>Origine</i>	Description	Alternatif <i>Alternative</i>
7101121FFT07S07.	P.T.O. assemblé / <i>PTO assy</i>	100.1121
7101151FFT07S07.	P.T.O. assemblé / <i>PTO assy</i>	100.1151
7102121FFT07S07.	P.T.O. assemblé / <i>PTO assy</i>	100.2121
7102151FFT07S07.	P.T.O. assemblé / <i>PTO assy</i>	100.2151
7102181FFT07S07.	P.T.O. assemblé / <i>PTO assy</i>	100.2181
7104073FFT07S07.	P.T.O. assemblé / <i>PTO assy</i>	100.4073
7104121FFT07S07.	P.T.O. assemblé / <i>PTO assy</i>	100.4121
7105071FFT07S07.	P.T.O. assemblé / <i>PTO assy</i>	100.5071
7105086FFT07S07.	P.T.O. assemblé / <i>PTO assy</i>	100.5086
7105111FFT07S07.	P.T.O. assemblé / <i>PTO assy</i>	100.5111
7105121FFT07S07.	P.T.O. assemblé / <i>PTO assy</i>	100.5121
7106071FFT07S07.	P.T.O. assemblé / <i>PTO assy</i>	100.6071
7106073FFT07S07.	P.T.O. assemblé / <i>PTO assy</i>	100.6073
7106121FFT07S07.	P.T.O. assemblé / <i>PTO assy</i>	100.6121
7108071FFT07S07.	P.T.O. assemblé / <i>PTO assy</i>	100.8071
7656121FFT07S07.	P.T.O. assemblé / <i>PTO assy</i>	AG6121